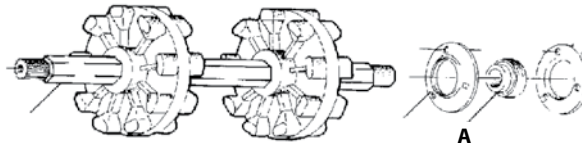
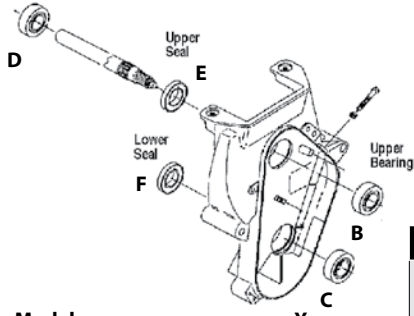


# Chaincase and Sprockets

# 8

# Chaincase Bearings & Seals



Model	Year	A L.H. Axle Bearing	B Chaincase Upper Bearing #	C Chaincase Lower Bearing #	D L.H. Jackshaft Bearing #	E Upper Seal	F Lower Seal
<b>Arctic Cat</b>							
All Models (except Kitty Cat)	1980-01	004-160-01	004-169	004-160-01	004-169-01	003-1711	003-1711
<b>Moto-Ski</b>							
Most Models	1975-85	-	-	-	-	003-110	003-106
Futura 500 L/C	1980-82	-	-	-	-	-	003-110-02
Grand Prix Special	1979-81	-	-	-	-	-	003-110-02
Spirit 250	1976-83	-	-	-	-	-	003-106-05
Super Sonic	1980-81	-	-	-	-	-	003-110-02
Ultra Sonic	1980-82	-	-	-	-	-	003-110-02
<b>Polaris</b>							
340 LC, 500 LC Indy	1980-83	004-160-04	004-156	004-156	004-160-04	-	-
400 Indy	1984-86	004-160-04	004-156	004-156	004-160-04	-	-
400 Indy	1987-91	004-160-04	004-156	004-156	004-160-04	003-108	003-108
440 & 488 Trail Indy	1983-86	004-160-04	004-156	004-156	004-160-04	-	-
440 Supersport	1994-96	004-160-04	004-156	004-156	004-160-04	003-108	003-108
440 XCF	1997	004-160-04	004-156	004-156	004-160-04	003-108	003-108
440 XCF	1998-99	004-160-05	004-156	004-156	004-160-05	003-108	003-108
440 XCR	1991-97	004-160-04	004-156	004-156	004-160-04	003-108	003-108
440 XCR	1998-99	004-160-05	004-156	004-156	004-160-04	003-108	003-108
488 Supersport	1997	004-160-04	004-156	004-156	004-160-04	003-108	003-108
488 Supersport	1998	004-160-05	004-156	004-156	004-160-05	003-108	003-108
488 Trail Indy	1987-97	004-160-04	004-156	004-156	004-160-04	003-108	003-108
488 Trail Indy	1998	004-160-05	004-156	004-156	004-160-05	003-108	003-108
500 Carb Indy	1989-92	004-160-04	004-156	004-156	004-160-04	003-108	003-108
500 Carb Indy	1994-97	004-160-04	004-156	004-156	004-160-04	003-108	003-108
500 Carb Indy	1998-00	004-160-05	004-156	004-156	004-160-05	003-108	003-108
500 EFI Indy	1993-97	004-160-04	004-156	004-156	004-160-04	003-108	003-108
500 RMK	2000	004-160-05	004-156	004-156	004-160-05	003-108	003-108
500 Indy, Classic	2000	004-160-05	004-156	004-156	004-160-05	003-108	003-108
500 XC, XC-SP, VES	1999-00	004-160-05	004-156	004-156	004-160-05	003-108	003-108
550 Supersport	1999-00	004-160-05	004-156	004-156	004-160-05	003-108	003-108
580 XLT	1993-94	004-160-04	004-156	004-156	004-160-04	003-108	003-108
600 Indy	1983-86	004-160-04	004-156	004-156	004-160-04	-	-
600 Indy	1987	004-160-04	004-156	004-156	004-160-04	003-108	003-108
600 RMK, Triumph	2000	004-160-05	004-156	004-156	004-160-05	003-108	003-108
600 XCR Triple Pipe	1996	004-160-05	004-156	004-156	004-160-04	003-108	003-108
600 XCR Triple Pipe	1997-98	004-160-05	004-156	004-156	004-160-05	003-108	003-108
600 XC	1997	004-160-04	004-156	004-156	004-160-04	003-108	003-108
600 XC, XC-SP, RMK	1998-99	004-160-05	004-156	004-156	004-160-05	003-108	003-108
600 XCR	1994-96	004-160-04	004-156	004-156	004-160-04	003-108	003-108
600 XC-SP	2000	004-160-05	004-156	004-156	004-160-05	003-108	003-108
600 XLT	1995-97	004-160-04	004-156	004-156	004-160-04	003-108	003-108
600 XLT-LTD	1998	004-160-05	004-156	004-156	004-160-05	003-108	003-108
600 XLT-SP/Classic	1998-99	004-160-05	004-156	004-156	004-160-05	003-108	003-108
600 XLT-SP/LTD	1997	004-160-04	004-156	004-156	004-160-04	003-108	003-108
650 Indy	1988-91	004-160-04	004-156	004-156	004-160-04	003-108	003-108
650 RXL	1991-97	004-160-04	004-156	004-156	004-160-04	003-108	003-108
680 Ultra	1998	004-160-05	004-156	004-156	004-160-05	003-108	003-108
680 Ultra, Ultra-SPX	1996-97	004-160-05	004-156	004-156	004-160-04	003-108	003-108
700 XC, XC-SP, RMK	1997	004-160-04	004-156	004-156	004-160-04	003-108	003-108
700 XC, XC-SP, RMK	1998-01	004-160-05	004-156	004-156	004-160-05	003-108	003-108
700 XCR	1998-99	004-160-05	004-156	004-156	004-160-05	003-108	003-108
750 Storm	1993	004-160-04	004-156	004-156	004-160-04	003-108	003-108
800 Storm	1994-95	004-160-04	004-156	004-156	004-160-04	003-108	003-108
800 Storm	1996-97	004-160-05	004-156	004-156	004-160-04	003-108	003-108
800 Storm	1998-00	004-160-05	004-156	004-156	004-160-05	003-108	003-108
800 XCR	1998-01	004-160-05	004-156	004-156	004-160-05	003-108	003-108

## Chain Case Seals

Part #	Price (G)
003-106	\$2.30
003-106-02	\$5.29
003-106-05	\$3.42
003-107	\$3.42
003-107-01	\$4.95
003-107-02	\$8.95
003-107-03	\$14.95
003-107-04	\$8.50
003-108	\$3.96
003-110	\$3.07
003-110-02	\$2.99
003-110-03	\$2.63
003-110-05	\$6.55

## Chain Case Bearings

Part #	Price (G)
004-152	\$4.60
004-152-01	\$5.95
004-152-02	\$5.95
004-152-03	\$12.95
004-152-04	\$4.95
004-152-05	\$16.95
004-153	\$5.50
004-156	\$5.25
004-156-01	\$19.95
004-156-02	\$27.62
004-156-03	\$34.95
004-157	\$5.95
004-160-01	\$15.95
004-160-02	\$3.15
004-160-03	\$22.95
004-160-04	\$12.95
004-160-05	\$14.95
004-160-06	\$15.95
004-160-07	\$22.95
004-160-08	\$13.00
004-161	\$5.49
004-162	\$3.49
004-163	\$4.95
004-163-01	\$4.95
004-164	\$21.95
004-165	\$11.95
004-165-01	\$3.05
004-166	\$11.49
004-167	\$9.95
004-168	\$18.64
004-169	\$19.95
004-169-01	\$39.95
004-169-02	\$18.75

# Chaincase Bearings & Seals

Model	Year	A	B	C	D	E	F
		L.H. Axle Bearing	Chaincase Upper Bearing #	Chaincase Lower Bearing #	L.H. Jackshaft Bearing #	Upper Seal	Lower Seal
<b>Ski-Doo</b>							
Most Models	1960-89	-	-	-	-	-	003-106
Most Models	1972-91	-	-	-	-	003-110	
Blizzard 5500	1979-82	-	-	-	-	-	003-110-02
Blizzard 7500	1980-81	-	-	-	-	-	003-110-02
Blizzard 9500	1979-82	-	-	-	-	-	003-110-02
Blizzard 9700, MX	1983-84	-	-	-	-	-	003-110-02
Elan 250	1972-96	-	-	-	-	-	003-106-05
Formula Dlx-670,583,500	1999	004-160-06	004-156	004-165	004-160-01	003-107-03	003-107
Formula III	1995-96	004-156	004-156	004-165	004-160-01	003-107-01	003-107
Formula III 600,700	1998	004-160-06	004-156	004-165	004-160-01	003-107-04	003-107
Formula III 600,700,800	1999	004-160-06	004-156	004-165	004-160-01	003-107-03	003-107
Formula III, III-LT	1997	004-156	004-156	004-165	004-160-01	003-107-01	003-107
Formula MX, Plus	1987-88	004-156	004-156	004-164	004-160-01	003-107-01	003-107
Formula MX, Plus, Mach-1	1989-92	004-156	004-156	004-164	004-160-01	003-107-01	003-107
Formula MXZ, Mach-Z, Mach-1	1993	004-156	004-156	004-165	004-160-01	003-107-01	003-107
Formula MX, Plus	1994	004-156	004-156	004-165	004-160-01	003-107-01	003-107
Formula MX, MXZ	1995	004-156	004-156	004-165	004-160-01	003-107-01	003-107
Formula SE	1998	004-156	004-156	004-156	004-160-01	003-107-03	003-106
Formula S,SL	1995-98	004-156	004-156	004-156	004-160-01	003-107-03	003-106
Formula S,SL	1999	004-160-06	004-156	004-156	004-160-01	003-107-03	003-106
Formula SLS	1996	004-156	004-156	004-165	004-160-01	003-107-03	003-107
Formula STX, ST	1994	004-156	004-156	004-165	004-160-01	003-107-01	003-107
Formula STX, STX-LT	1996	004-156	004-156	004-165	004-160-01	003-107-03	003-107
Formula XTC,EFI	1992-93	004-156	004-156	004-165	004-160-01	003-107-01	003-107
Formula Z 583, 500, 500Dlx	1997	004-156	004-156	004-165	004-160-01	003-107-03	003-107
Formula Z, Formula SS	1996	004-156	004-156	004-156	004-160-01	003-107-01	003-107
Formula Z, STX, SS	1995	004-156	004-156	004-165	004-160-01	003-107-01	003-107
Formula Z 500/583 & Deluxe	1998	004-156	004-156	004-165	004-160-01	003-107-03	003-107
Formula Z 670	1998	004-156	004-156	004-165	004-160-01	003-107-01	003-107
Formula Z 670,583,500	1999	004-160-06	004-156	004-165	004-160-01	003-107-03	003-107
Grand Touring 580,500	1996	004-156	004-156	004-165	004-160-01	003-107-03	003-107
Grand Touring 583,500	1998	004-156	004-156	004-165	004-160-01	003-107-03	003-107
Grand Touring 583,500	1999	004-160-06	004-156	004-165	004-160-01	003-107-03	003-107
Grand Touring SE	1996	004-156	004-156	004-156	004-160-01	003-107-01	003-107
Grand Touring SE,580,470	1995	004-156	004-156	004-165	004-160-01	003-107-01	003-107
Grand Touring SE,700	1998-99	004-160-06	004-156	004-165	004-160-01	003-107-04	003-107
Grand Touring SE,700,583,500	1997	004-156	004-156	004-165	004-160-01	003-107-03	003-107
Grand Touring SE,XTC	1994	004-156	004-156	004-165	004-160-01	003-107-01	003-107
Mach-1,GT	1994	004-156	004-156	004-165	004-160-01	003-107-01	003-107
Mach-Z, Mach-1	1994-97	004-156	004-156	004-165	004-160-01	003-107-01	003-107
Mach-Z, Mach-1	1998-99	004-160-06	004-156	004-165	004-160-01	003-107-04	003-107
MXZ 440	1996	004-156	004-156	004-165	004-160-01	003-107-01	003-107
MXZ 440LC	1997	004-156	004-156	004-165	004-160-01	003-107-01	003-107
MXZ 440F	1997-98	004-156	004-156	004-156	004-160-01	003-107-03	003-106
MXZ 440	1999	004-160-06	004-156	004-156	004-160-01	003-107-03	003-106
MXZ 500	1998	004-156	004-156	004-165	004-160-01	003-107-01	003-107
MXZ 500/670	1999	004-160-06	004-156	004-165	004-160-01	003-107-01	003-107
MXZ 500	2000	004-160-06	004-156	004-160-07	004-160-01	003-107-02	-
MXZ 600,700	2000	004-160-06	004-156	004-160-07	004-160-05	003-107-02	-
MXZ 670,583	1996-98	004-156	004-156	004-165	004-160-01	003-107-01	003-107
MXZ 700	1999	004-160-06	004-156	004-160-07	004-160-01	003-107-04	-
MXZX 440	2000	004-160-06	004-156	004-160-07	004-160-01	003-107-02	-
MXZX 440LC	1997	004-156	004-156	004-160-07	004-160-01	n/a	-
MXZX 440LC	1998	004-156	004-156	004-160-07	004-160-01	003-107-01	-
Nordic 440	1972	-	-	-	-	-	003-106-05
Olympique 300,340,400,440	1972-74	-	-	-	-	-	003-106-05
Safari GLX,LCE,L,LE	1992-94	-	-	-	-	003-110	-
Scout	1992-94	-	-	-	-	003-110	-
Skandic	1972-73	-	-	-	-	-	003-106-05
Skandic	1992-94	-	-	-	-	003-110	-
Skandic 380	1999	004-160-06	004-156	004-156	004-160-05	003-107-03	003-106
Skandic 500,380	1995-98	004-156	004-156	004-156	004-160-01	003-107-03	003-106
Summit 470	1994	004-156	004-156	004-165	004-160-01	003-107-01	003-107
Summit 500	1996-98	004-156	004-156	004-165	004-160-01	003-107-03	003-107
Summit 583	1994-95	004-156	004-156	004-165	004-160-01	003-107-01	003-107

## Chain Case Seals

Part #	Price (G)
003-106	\$2.30
003-106-02	\$5.29
003-106-05	\$3.42
003-107	\$3.42
003-107-01	\$4.95
003-107-02	\$8.95
003-107-03	\$14.95
003-107-04	\$8.50
003-108	\$3.96
003-110	\$3.07
003-110-02	\$2.99
003-110-03	\$2.63
003-110-05	\$6.55

## Chain Case Bearings

Part #	Price (G)
004-152	\$4.60
004-152-01	\$5.95
004-152-02	\$5.95
004-152-03	\$12.95
004-152-04	\$4.95
004-152-05	\$16.95
004-153	\$5.50
004-156	\$5.25
004-156-01	\$19.95
004-156-02	\$27.62
004-156-03	\$34.95
004-157	\$5.95
004-160-01	\$15.95
004-160-02	\$3.15
004-160-03	\$22.95
004-160-04	\$12.95
004-160-05	\$14.95
004-160-06	\$15.95
004-160-07	\$22.95
004-160-08	\$13.00
004-161	\$5.49
004-162	\$3.49
004-163	\$4.95
004-163-01	\$4.95
004-164	\$21.95
004-165	\$11.95
004-165-01	\$3.05
004-166	\$11.49
004-167	\$9.95
004-168	\$18.64
004-169	\$19.95
004-169-01	\$39.95
004-169-02	\$18.75

# Chaincase Bearings & Seals

Model	Year	A	B	C	D	E	F
		L.H. Axle Bearing	Chaincase Upper Bearing #	Chaincase Lower Bearing #	L.H. Jackshaft Bearing #	Upper Seal	Lower Seal
Summit 583	1996-98	004-156	004-156	004-165	004-160-01	003-107-03	003-107
Summit 600	1999	004-160-06	004-156	004-160-07	004-160-01	003-107-04	-
Summit 670	1995-96	004-156	004-156	004-165	004-160-01	003-107-01	003-107
Summit 670	1997	004-156	004-156	004-165	004-160-01	003-107-03	003-107
Summit 670,670X	1998	004-156	004-156	004-165	004-160-01	003-107-01	003-107
Tundra, R, II LT	1996-05	-	-	-	-	003-110	003-106
Touring E,LE	1995-98	004-156	004-156	004-156	004-160-01	003-107-03	003-106
Touring E,LE	1999	004-156	004-156	004-156	004-160-05	003-107-03	003-106
Touring SLE	1995-97	004-156	004-156	004-156	004-160-01	003-107-03	003-106
Touring SLE	1998-99	004-156	004-156	004-156	004-160-05	003-107-03	003-106
<b>Ski Roule</b>							
All Models	1972-76	-	-	-	-	-	003-106-02
<b>Yamaha</b>							
All Models	1974-97	-	-	-	-	003-110-03	-
Bravo's	1982-068	004-152-01	004-152-02	004-152-02	-	003-110-03	-
ET250,300,340,400	1977-92	004-152-01	-	-	-	-	-
Exciter 570	1987-93	004-152-03	004-156	004-156	004-156-01	-	003-110-03
Mountain Max 600,700	1997-02	004-156-03	004-156	004-156	004-160-08	003-110-05	003-110-05
Mountain SRX 700	1998	004-156-03	004-156	004-156	004-160-08	003-110-05	003-110-05
Ovation	1989-94	004-152-03	004-156	004-156	004-156-01	-	003-110-03
Phazer Mountain Lite	1997	004-152-03	004-156	004-156	004-156-01	-	003-110-03
Phazer's	2000-01	004-156-03	004-156	004-156	004-160-04	003-110-05	003-110-05
Phazer's	1984-99	004-152-03	004-156	004-156	004-156-01	-	003-110-03
RX-1	2003-05	-	-	-	-	003-110-05	003-110-05
SRV's	1980-91	004-152-03	004-156	004-156	004-156-02	-	003-110-03
SRX 600,700	1998-02	004-156-03	004-156	004-156	004-160-08	003-110-05	003-110-05
SXV 600 Venom	2004-05	-	-	-	-	003-110-05	003-110-05
SXV 700 Viper	2002-05	-	-	-	-	003-110-05	003-110-05
Venture 500,600	1997-98	004-156-03	004-156	004-156	004-160-08	003-110-05	003-110-05
Venture VT500,600,700	1999-06	004-156-03	004-156	004-156	004-160-08	003-110-05	003-110-05
V-Max 500,600,700	1997	004-156-03	004-156	004-156	004-160-08	003-110-05	003-110-05
V-Max 500,600	1992-93	004-152-03	004-152-02	004-156	-	-	-
V-Max 500,600	1994-96	004-152-01	004-156	004-156	004-156	-	003-110-03
V-Max 500SX,600SX,700SX	1999	004-156-03	004-156	004-156	004-160-08	003-110-05	003-110-05
V-Max 500SX-R,600SX-R,700SX-R	2000	004-156-03	004-156	004-156	004-160-08	003-110-05	003-110-05
V-Max 500XT,600XT	1998	004-156-03	004-156	004-156	004-160-08	003-110-05	003-110-05
V-Max 500XTC,600XTC	1998	004-156-03	004-156	004-156	004-160-08	003-110-05	003-110-05
V-Max 540	1983-91	004-152-03	004-156	004-156	004-156-02	-	-
V-Max 700SX,XTC	1998-03	004-156-03	004-156	004-156	004-160-08	003-110-05	003-110-05
V-Max-4	1995-97	004-152-05	-	-	-	003-110-05	003-110-03

## Chain Case Seals

Part #	Price (G)
003-106	\$2.30
003-106-02	\$5.29
003-106-05	\$3.42
003-107	\$3.42
003-107-01	\$4.95
003-107-02	\$8.95
003-107-03	\$14.95
003-107-04	\$8.50
003-108	\$3.96
003-110	\$3.07
003-110-02	\$2.99
003-110-03	\$2.63
003-110-05	\$6.55

## Chain Case Bearings

Part #	Price (G)
004-152	\$4.60
004-152-01	\$5.95
004-152-02	\$5.95
004-152-03	\$12.95
004-152-04	\$4.95
004-152-05	\$16.95
004-153	\$5.50
004-156	\$5.25
004-156-01	\$19.95
004-156-02	\$27.62
004-156-03	\$34.95
004-157	\$5.95
004-160-01	\$15.95
004-160-02	\$3.15
004-160-03	\$22.95
004-160-04	\$12.95
004-160-05	\$14.95
004-160-06	\$15.95
004-160-07	\$22.95
004-160-08	\$13.00
004-161	\$5.49
004-162	\$3.49
004-163	\$4.95
004-163-01	\$4.95
004-164	\$21.95
004-165	\$11.95
004-165-01	\$3.05
004-166	\$11.49
004-167	\$9.95
004-168	\$18.64
004-169	\$19.95
004-169-01	\$39.95
004-169-02	\$18.75

## Chaincase Seals

Part #	Price (G)	OEM #	Dimensions		
			I.D.	O.D.	Thick
003-106	\$2.30	Ski-Doo 581.1017.00	23mm	54mm	9mm
003-106-02	\$5.29	Ski-Doo 406.3007.00			
003-106-05	\$3.42	Ski-Doo 406.3004.00			
003-107	\$3.42	Ski-Doo 5041511925	30mm	63.2mm	11.5mm
003-107-01	\$4.95	Ski-Doo 414.5312.00	27mm	52.2mm	8mm
003-107-02	\$8.95	Ski-Doo 504.1519.27	25mm	48mm	8mm
003-107-03	\$14.95	Ski-Doo 414.8828.00	25mm	52mm	8mm
003-107-04	\$8.50	Ski-Doo 415.0493.00	34mm	48mm	8mm
003-108	\$3.96	Polaris 3610030			
003-108-01	\$1.05	Polaris 5410613 - Lower chaincase o-ring			
003-110	\$3.07	Ski-Doo 406.3005.00			
003-110-02	\$2.99	Skiroule 2041X0007			
003-110-03	\$2.63	Yamaha 93102-25081-00	25mm	44mm	6mm
003-110-05	\$6.55	Yamaha 93102-35318-00, 93102-35473-00	35mm	47mm	7mm



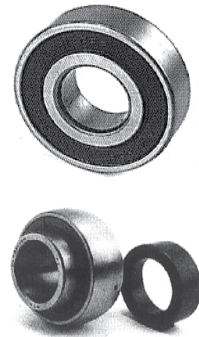
# Chaincase Bearings & Chain Links

## Chaincase Bearings

Bearing	Inside Dia.	Outside Dia.	Width/mm	Part #	Price (G)	Description
*6201-1RS	12	32	10	004-152	\$4.60	1-seal
*6004-2RS	20	42	12	004-152-01	\$5.95	
*6004-2RS	20	42	12	NTN152-01	\$21.95	NTN Bearing
*6304-2RS	20	52	15	004-152-02	\$5.95	
*60/22-2RS	22	44	12	004-152-03	\$12.95	
*60/22-no seals	22	44	12	004-152-03A	\$10.18	no seals
*6204-2RS	20	47	14	004-152-04	\$4.95	
*6204-2RS	20	47	14	NTN152-04	\$9.25	NTN Bearing
*62/22-2RS	22	50	14	004-152-05	\$16.95	
*6203-2RS	17	40	12	004-153	\$5.50	
86205-2RS	25	52	15	004-156	\$5.25	
*6205-1RS	25	52	15	NTN156	\$12.95	NTN Bearing
*AELS205V-5 2RS	25	52	15/21/37	004-156-01	\$19.95	Flat outer race w/locking collar & set screw
*AELS205V-6 2RS	25	52	15/21/31	004-156-02	\$27.62	Flat outer race w/locking collar & set screw
*ASS205-100N 2RS	25.4	52	15/27	004-156-03	\$34.95	Flat outer race w/collar & 2-set screws
*6205-2RS 1"	25.4	52	15	004-157	\$5.95	
*RA100-Dome 2RS	25.4	52	15/21/31	004-160-01	\$15.95	Domed outer race w/locking collar & set screw
*RA100-Dome 2RS	25.4	52	15/21/31	NTN160-01	\$16.95	Domed outer race w/locking collar & set screw
*SA205-19-2RS	30	62	15/24/36	004-160-03	\$22.95	Domed outer race w/locking collar & set screw
*SB205-16-2RS	25.4	52	15/27	004-160-04	\$12.95	Domed outer race w/collar & 2-set screws
*SB205-16-2RS	25.4	52	15/27	NTN160-04	\$16.95	Domed outer race w/collar & 2-set screws
*CS205-100LLU 2RS	25.4	52	15	004-160-05	\$14.95	
*CS205-LU 2RS	25	52	15	004-160-06	\$15.95	Domed outer race 2-seals
*62/28DDU-AV-2RS	28	58	16	004-160-07	\$22.95	
*BU205-2RS	25	52	15/	004-160-08	\$13.00	
6205	23.84	52	-	004-160-11	\$15.95	Domed outer race w/locking collar
*99502H-2RS	.625"	35	11	004-163	\$4.95	
*6202-2RS	15	35	11	004-163-01	\$4.95	
*176205-100	25	52	15/21/31	004-164	\$21.95	
*6206	30	62	16	004-165	\$11.95	no seals
*62/28A-2RS	28.6	52	15	004-166	\$11.49	
*6006-2RS	30	55	13	004-167	\$9.95	
*UD204-2RS	20	47	14	004-168	\$18.64	Domed outer race
*AL205-014	22	52	15/21/31	004-169	\$19.95	Domed outer race w/locking collar & set screw
*UL205-100 Dome	25.4	52	18/35/44	004-169-01	\$39.95	Domed outer race w/wide locking collar & set screw
*AS205-014	22	52	15/27	004-169-02	\$18.75	Domed outer race w/collar & 2-set screws

1RS = Single rubber seal

2RS = Double rubber seal



## Bearing Flange

Description	Part #	Price (G)
Fits Polaris & Arctic Cat front axle and jackshaft domed bearings	004-116-103	\$3.95



## Chain Links

Description	OEM #	Part #	Price (G)
Connecting Links for #40 Single chain	Moto-Ski, Polaris, Sno-Jet, etc.	003-131	\$1.79
Offset Links for #40 Single chain	Moto-Ski, Ski-Doo, Sno-Jet, Polaris, etc.	003-133	\$2.79
#428 Single chain, 1/2" Pitch		003-132	\$1.99
Offset Links for #428 Single chain, 1/2" Pitch	Ski-Doo 412.6004.00	003-134	\$3.49
#35-2 Double chain, 3/8" Pitch	Ski-Doo 412.6008.00	003-135	\$3.95
Connecting Links for #315-2 Double chain, 3/8" Pitch	Ski-Doo 412.6007.00	003-129	\$3.49
Connecting Links for #35-2 Double chain, 1/2" Pitch	Arctic Cat, Boa-Ski, John Deere, Kawasaki/Sno-Jet, Polaris, Rupp, Skiroule	003-127	\$2.79
Offset Links for #35-2 Double chain	Arctic Cat, Boa-Ski, John Deere, Skiroule, Kawasaki, Sno-Jet, Polaris, Rupp, etc.	003-136	\$5.29
Connecting Links for #35-3 Triple chain	Skiroule	003-128	\$4.29
Connecting Links for #315-3 Triple chain, 3/8" Pitch	Moto-Ski, Ski-Doo	003-129-01	\$4.29
#315-3 Triple Off Set Link 3/8" Pitch	Skiroule	003-135-01	\$4.95
#315-3 Triple Off Set Link	Ski-Doo, Moto-Ski	003-135-02	\$6.95



003-127



003-128



003-129



003-131



003-132



003-133



003-134



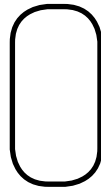
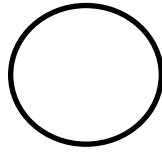
003-135-01

# Chaincase Gaskets

## Chaincase O-Rings for Arctic Cat

Description	Part #	Price (G)
Bearing O-Ring	003-1711	\$1.95

Fits:	Model	Year
	Cheetah	1974-78
	Cross Country	1976-77
	EXT	1971
	El Tigre	1973-84
	Jag	1975-81
	Lynx	1977-80
	Pantera	1976-81
	Panther	1975-79
	Panther	1980-84



003-1709



P5411497



## Tensioner Block for Arctic Cat

Description	OEM	Part #	Price (G)
(small) Tensioner block	1973-96 0107-228	003-297	\$6.59
(large) Tensioner block	0107-411	003-298	\$4.39

## Chain Tensioner for Arctic Cat

Model	Year	OEM #	Part #	Price (G)
Arctic Cat (all)	1988-91	0636-514	SM-03093	\$21.95
Arctic Cat (all)	1996-97	0639-431	SM-03092	\$21.95



SM-03092



SM-03093

## Chain Tensioner for Polaris

Model	Year	Part #	Price (G)
All Indy	1976-95	003-102-12	\$29.95 (G)



## Chain Tensioner

Fits	OEM #	Part #	Price (G)
1977-84 ET 250, 300; 1983-95 Bravo 250; 1985-89 CF300	Yamaha 8F3-47611-01-00	003-102-10	\$6.31
1976-88 ET 340; 1982-88 ET 340T; 1981-88 Excel III; 1989-91 ET 400	Yamaha 868-47611-00	003-102-11	\$11.92
1976-85 Moto Ski 1972-91 Ski-Doo	Moto Ski 572.0408.00 Ski-Doo 414.0985.00 use 572.0408.00	003-102-04	\$4.95
1972-83 Apollo, Colt, SS, Gemini, SS 340	Polaris 1332070,1332090	003-102-09	\$6.08

### Chain Tensioner Spring

1976-85 Moto Ski	Ski-Doo 414.1306.00	003-102-08	\$1.05
1971-97 Ski-Doo models			



003-102-10



003-102-11



003-102-04



003-102-09



003-102-08

## Chaincase Gasket for Arctic Cat

Description	Part #	Price (G)
Chaincase Gasket for Lynx 1977-80	003-1709	\$3.95

## Chaincase Gaskets Polaris

Description	Part #	Price
Gasket O-ring style	P5411497	\$6.95

Fits Model	Year
800 XCSP	2002-03
800 RMK 151"/156"	2002-03
800 Classic Tour., SKS	2003
700 XC Sp (Ves), RMK, Classic	2002-03
700 Classic, Classic Tour., SKS	2003
600 XCSP, Pro X, Classic, RMK	2001-03
600 Classic	2003
550 Super Sport-Edge, Classic	2002-03
550 Classic	2003
500 XCSP	2001-03
500 Classic	2003
440 Pro X, Pro X Fan	2002-03
440 XCR-SP	1999
440 XCSP	2000

## Chaincase Gasket

- Polaris oem #5411207, 5410277

Part #	Price (G)
003-207	\$6.95

### Fits:

All Indy & TXL	1980-91	Trail Indy, Trail-RMK	1985-97
Classic 500	1988-97	Trail RMK	1999-03
Classic Touring	1993-97	Trail Deluxe	1988-95
Indy 400,400SKS	1985-91	Trail Touring	1996-97
Indy 440 L/C	1992-97	Transport	1996-97
Indy 440XCR	1992-95	Ultra 680 (all)	1996-97
Indy 500,500SKS,EFI	1989-97	XC-400	1991
Indy 500 Classic	1991-92	XLT's (all)	1993-97
Indy 600	1985-87	440-XC	1997
Indy 650,RXL	1988-94	440 XCR	1994-99
Lite, Lite Deluxe	1993-97	500 XC,XCSP	1999-00
Lite-GT	1991-97	500 RMK	2000-02
Longtrack	1985-88	600-XC,XCSP	1997-00
RXL, RXL Touring	1990-97	600 XC Deluxe	2000
Sport Indy,Sport-GT	1987-97	600 RMK	1998-01
Sport Touring	1995-03	600 XCR	1994-97
Sprint	1990	600 XCR-SP	1996
Star	1990-	700 Classic	2001
Starlite	1994-95	700 XC,XCSP	1997-00
StarLite GT, Star-GT	1993-96	700 RMK	1997-01
Star Track	1987-90	700 SKS	1997-02
Storm (all)	1993-97	800 XCR	2000-03
Supersport	1994-97	800 RMK	2000-01



# Chaincase Gaskets, Jackshaft

## Yamaha Chaincase Gaskets

Model	Year	OEM #	Part #	Price (D)
Bravo	1986-99	86A-47592-00	003-160	\$4.95
CF 300	1986-90	86E-47592-00	003-160-01	\$0.95
CS 340E	1992-00	86M-47592-00	003-160-04	\$9.85
Exciter 570	1992-93	8L9-47592-00	003-160-07	\$9.85
Phazer	1984-00	86M-47592-00	003-160-04	\$9.85
SRV 540	1981-88	8L9-47592-00	003-160-07	\$9.85
SSR 440	1978	878-47544-00	003-160-05	\$5.25
XL 540	1989	86K-47592-00	003-160-08	\$1.15
VK 540	1988-97	85R-47544-00	003-160-09	\$1.50
VMX 540	1983-90	8L9-47592-00	003-160-07	\$9.85

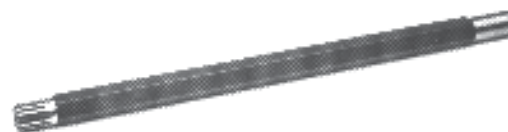


## Polaris Jackshaft

Discontinued. *While supplies last.*

Model	Year	Part #	Price (D)
440 L/C	1996	P1332167	\$119.95
440 XCR	1996	P1332167	\$119.95
440 XCR-SP	1996	P1332165-067	\$129.95
440 Supersport	1996	P1332146-067	\$109.95
500 Carb	1996	P1332167	\$119.95
500 EFI	1996	P1332167	\$119.95
600 SP/600XCR (triple pipe)	1996	P1332179-067	\$139.95
600 XCR	1996	P1332167	\$119.95
750 Storm	1993	P1332148-093	\$129.95
Classic/Classic Tour.	1996	P1332167	\$119.95
RXL	1995-96	P1332167	\$119.95
Trail, Trail Touring	1996-97	P1332167	\$119.95
Ultra 680	1996	P1332179-067	\$139.95
XLT	1995-96	P1332167	\$119.95

**Note:** All Axle Assemblies with pressed on clutch-side bearings. Come with the bearing and bearing-holder already installed on shaft.



## Chain OEM Cross Reference Chart

OEM #	Part #	Type	Length	Width
<b>Arctic Cat</b>				
0107-102	017-92-11	NLA Silent	92	11
0107-215	017-68-11	\$62.95 Silent	68	11
0107-216	017-70-11	\$63.95 Silent	70	11
0107-322	017-64-11	\$59.95 Silent	64	11
0107-358	017-66-11	\$62.95 Silent	66	11
0107-372	017-72-11	\$65.95 Silent	72	11
0107-431	017-84-11	\$67.95 Silent	84	11
0107-484	017-88-11	NLA Silent	88	11
0116-049	003-125-04	\$34.99 35-2	90	Double
0602-449	017-70-13	\$73.95 Silent	70	13
0602-450	017-72-13	\$77.94 Silent	72	13
<b>Ski-Doo</b>				
412.1010.00	003-119-06	\$29.99 315-2	90	Double
412.1021.00	003-121-05	\$59.99 3/8"	90	Triple
412.1024.00	003-121-04	\$59.99 3/8"	82	Triple
412.1026.00	003-119-02	\$29.99 315-2	84	Double
412.1028.00	003-119-05	\$24.95 315-2	89	Double
412.1029.00	003-121-07	\$59.99 3/8"	94	Triple
412.1032.00	003-121-03	\$49.99 3/8"	68	Triple
412.1041.00	003-119-04	\$29.99 315-2	88	Double
412.1043.00	003-121-01	\$49.99 3/8"	64	Triple
412.1046.00	003-119-03	\$29.99 315-2	86	Double
412.1047.00	003-121-02	\$49.99 3/8"	66	Triple
412.1048.00	003-118-04	\$16.95 428	62	Single
412.1049.00	017-92-11	NLA Silent	92	11
412.1052.00	003-121-06	\$59.99 3/8"	92	Triple
412.1055.00	017-72-11	\$65.95 Silent	72	11
412.1063.00	003-118-04	\$16.95 428	62	Single

OEM #	Part #	Type	Length	Width
412.1067.00	017-72-15	\$119.95 Silent	72	15
412.1058.00	017-74-11	\$66.95 Silent	74	11
412.1069.00	017-74-13	\$78.95 Silent	74	13
412.1059.00	017-70-11	\$63.95 Silent	70	11
412.1060.00	017-68-11	\$62.95 Silent	68	11
412.1064.00	017-96-11	NLA Silent	96	11
412.1066.00	017-98-11	NLA Silent	98	11
417.1112.00	003-121-05	\$59.99 3/8"	90	Triple
420.4990.46	003-121-09	\$99.95 3/8"	186	Triple
420.4990.47	003-121-08	\$115.95 3/8"	188	Triple
420.4990.80	003-121-06	\$59.99 3/8"	92	Triple
420.4990.86	003-121-05	\$59.99 3/8"	90	Triple
420.4990.88	003-121-07	\$59.99 3/8"	94	Triple
<b>Polaris</b>				
220199	017-88-11	NLA Silent	88	11
3224005	003-125-04	\$34.99 35-2	90	Double
3224023	017-64-11	\$59.95 Silent	64	11
3224052	017-64-13	\$66.95 Silent	64	13
3224057	017-64-15	\$74.95 Silent	64	15
3224024	017-66-11	\$62.95 Silent	66	11
3224051	017-66-13	\$71.94 Silent	66	13
3224058	017-66-15	\$79.95 Silent	66	15
3224025	017-68-11	\$62.95 Silent	68	11
3224061	017-68-13	\$71.94 Silent	68	13
3224068	017-68-15	\$83.95 Silent	68	15
3224031	017-88-11	NLA Silent	88	11
<b>Yamaha</b>				
94860-01064	017-64-11	\$59.95 Silent	64	11
94860-01066	017-66-11	\$62.95 Silent	66	11
94860-01068	017-68-11	\$62.95 Silent	68	11
94860-01070	017-70-11	\$63.95 Silent	70	11

# Diamond Drive Parts

## Seal Kit

Black Diamond introduces the DIAMOND DRIVE SEAL KIT™ to protect your DIAMOND DRIVE™ and keep it performing like new. Seal maintenance helps keep the vital lubricating fluids in and damaging moisture out. Black Diamond provides OEM seals that are of an automotive quality for maximum performance. Black Diamond makes it easier to maintain the Diamond Drive with the correct and complete Input and Drive Line seals and oil plug O-ring.



Description	Part #	Price (F)
For 2004 Models	BDX50025	\$20.35
For 2005 Models	BDX50026	\$20.35
For 2006 Models	BDX50041	\$17.95
For 2007-10 Models	BDX50048	\$11.94

see "BDX Xtreme Duty Oil Change Kit 12oz" on page 125

## Bearing Kits

Black Diamond introduces the DIAMOND DRIVE BEARING KIT™ to help maintain peak performance of your Diamond Drive. The DIAMOND DRIVE BEARING KIT™ contains all the OEM bearings needed for a complete Diamond Drive case rebuild. For maximum performance Black Diamond recommends an annual preseason inspection. Preventative maintenance with DIAMOND DRIVE ACCESSORIES™ provide you with the correct and complete OEM parts needed to protect your investment and maximize your snowmobiling experience.



Description	Part #	Price (F)
For 2004-06 Models	BDX50027	\$71.97
For 2007-10 Reverse	BDX50058	\$71.97

## Diamond Drive Gears

Improve performance by fine tuning the Diamond Drive with a choice of 17 different gear ratios available for 2005-up cases. Ranging from high 1.62 to low 2.76. High quality gears manufactured to exact OEM specification. Cut from billet material and heat treated for strength and durability. These transfer gears are now one piece forged with window openings to provide superior splash lubrication to the rear bearings of the transfer and input gears to give longer bearing life. A must for any sled with over 165 hp. Manufactured in the USA.



### Non-Reverse Case Gears:

- Fits 2005-06 models & 2009-10 Engine Reverse models

### Reverse Gears

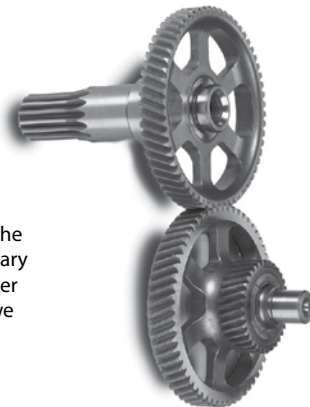
- Fits 2007-2010 models with reverse gear case



**NOTE: Lower ratios are available with the Black Diamond 10.4" Clutch Conversion kit (see page 216). The 10.4" conversion kit starts in a lower gear and reduces belt slippage on the top end.**

## Hi-Torq Diamond Drive Lightweight Gears

Introducing the next generation Hi-Torq Diamond Drive gear sets. Made of 860 forged steel with a straight cut precision shaved sun gear on our exclusive one piece forged transfer gear which is windowed for better lubrication! The complete set is 35% stronger than the standard gear sets. With the new straight cut planetary gears we have taken away failure of the thrust washer area. With the new design and 6 pinion planetary we now have the answer for the 250hp+ drive system.



**Note: You must use the following parts to install a Hi-Torq gear set:**

Description	Part #	Price (F)
Hi-Torq Planetary	BDX60349-HT	\$180.01
Hi-Torq Ring Gear	BDX60782-HT	\$186.01



### Hi-Torq Non-Reverse Case Gears

- Fits 2005-2006 models & 2009-2010 Engine Reverse models)

Input/Transfer Gears	Effective Ratio	Non-Reverse \$240.04 (F)	Reverse \$264.05 (F)
68/52 *	1.62	BDX66852	BDX66852-R
67/53	1.67	BDX66753	BDX66753-R
66/54	1.73	BDX66654	BDX66654-R
65/55	1.79	BDX66555	BDX66555-R
64/56	1.85	BDX66456	BDX66456-R
63/57	1.91	BDX66357	BDX66357-R
62/58	1.98	BDX66258	BDX66258-R
61/59	2.04	BDX66159	BDX66159-R
60/60	2.11	BDX66060	BDX66060-R
59/61	2.18	BDX65961	BDX65961-R
58/62	2.26	BDX65862	BDX65862-R
57/63	2.33	BDX65763	BDX65763-R
56/64	2.41	BDX65664	BDX65664-R
55/65	2.50	BDX65565	BDX65565-R
54/66 **	2.58	BDX65466*	BDX65466-R
53/67 **	2.67	BDX65367*	BDX65367-R
52/68 **	2.76	BDX65268*	BDX65268-R

\* = High speed gears. Case modification may be necessary.

\*\* = Snocross and Mountain Applications.

Input/Transfer Gears	Effective Ratio	Hi-Torq Non-Reverse \$300.06 (F)
67/53	1.67	BDX66753-HT
65/55	1.79	BDX66555-HT
63/57	1.91	BDX66357-HT
61/59	2.04	BDX66159-HT
59/61	2.18	BDX65961-HT
57/63	2.33	BDX65763-HT
55/65	2.50	BDX65565-HT
53/67 **	2.67	BDX65367-HT

- \*\* = Snocross and Mountain Applications.

# Diamond Drive Parts

## Gear & Chain Information for Arctic Cat Applications

Model	Year	Chain Pitch	Top Gear	Bottom Gear
Bearcat 340	1995-97	72P / 13W	18T / 13W	44T / 13W
Cougar/Cougar Mtn. Cat	1990	68P / 11W	20T / 11W	35T / 11W
Cougar/Cougar 2-up	1991-92	72P / 11W	23T / 11W	40T / 11W
Cougar/Cougar Mtn. Cat	1993-96	70P / 11W	20T / 11W	39T / 11W
Cougar/Cougar Mtn. Cat	1997-98	70P / 13W	20T / 13W	39T / 13W
Crossfire 500	2007	N/A	54T	66T
Crossfire 600 / 700	2006-07	N/A	60T	60T
Crossfire 800	2007	N/A	60T	60T
El Tigre EXT/Mountain Cat	1990	68P / 11W	20T / 11W	35T / 11W
El Tigre EXT/Mountain Cat	1991	72P / 11W	23T / 11W	40T / 11W
El Tigre EXT Special	1990-91	70P / 11W	20T / 11W	39T / 11W
EXT/EXT Special/EXT M/C	1992	70P / 11W	20T / 11W	39T / 11W
EXT 550	1993	70P / 11W	20T / 11W	39T / 11W
EXT 580/EXT 580 Mtn. Cat	1993-98	70P / 13W	20T / 13W	39T / 13W
EXT 600	1997-98	72P / 13W	23T / 13W	40T / 13W
Firecat 500	2003	70P / 13W	19T / 13W	40T / 13W
Firecat 500	2004	74P / 13W	23T / 13W	44T / 13W
Firecat 500	2005-06	N/A	57T	63T
Firecat 500	2007	N/A	54T	66T
Firecat 600	2004	72P / 13W	23T / 13W	40T / 13W
Firecat 600	2005-06	N/A	62T	58T
Firecat 600	2007	N/A	60T	60T
Firecat 700	2003	72P / 13W	22T / 13W	41T / 13W
Firecat 700	2004	72P / 13W	24T / 13W	39T / 13W
Firecat 700	2005	N/A	65T	55T
Firecat 700	2006	N/A	60T	60T
F-Series 800	2007	N/A	62T	58T
f-sERIES 1000	2007	N/A	66T	54T
Jag/Jag Deluxe/Jag M/Cat	1990-97	70P / 11W	20T / 11W	39T / 11W
Jag 340 / Jag 340 Deluxe	1998-99	72P / 11W	18T / 11W	44T / 11W
Jag 440	1999	70P / 11W	20T / 11W	39T / 11W
Jag 440 Deluxe	2000	70P / 11W	18T / 11W	39T / 11W
King Cat 900	2005-06	72P / 3/4W	19T / 3/4W	43T / 3/4W
M-Series 500 / 600 / 700	2005-07	N/A	57T	63T
M-Series 1000	2007	N/A	60T	60T
Mountain Cat 1000	2001-02	70P / 13W	20T / 13W	39T / 13W
Mountain Cat 500 EFI	2001-02	70P / 13W	19T / 13W	40T / 13W
Mountain Cat 570	2002	70P / 13W	19T / 13W	39T / 13W
Mountain Cat 570	2003-04	72P / 13W	18T / 13W	44T / 13W
Mountain Cat 600 EFI	2001-02	70P / 13W	19T / 13W	40T / 13W
Mountain Cat 600	2003-04	72P / 13W	18T / 13W	44T / 13W
Mountain Cat 800	2001-02	70P / 13W	20T / 13W	39T / 13W
Mountain Cat 800	2003-04	72P / 13W	19T / 13W	43T / 13W
Mountain Cat 900 1M	2003-04	72P / 15W	43T / 13W	19T / 15W
Panther/Panther Mtn. Cat	1990-96	70P / 11W	20T / 11W	39T / 11W
Panther 340	1998-00	72P / 11W	18T / 11W	44T / 11W
Panther 370	2001-06	72P / 13W	18T / 13W	44T / 13W
Panther 440	2001-02	70P / 13W	20T / 13W	39T / 13W
Powder Extreme	1997	72P / 13W	23T / 13W	40T / 13W
Powder Extreme	1998	70P / 13W	20T / 13W	39T / 13W
Powder Special	97&2000	70P / 13W	20T / 13W	39T / 13W
Powder Special	1998-99	70P / 13W	19T / 13W	40T / 13W
Powder Spec. 500-600 EFI	2000	70P / 13W	19T / 13W	40T / 13W
Powder Special 600 CARB	2000	70P / 13W	18T / 13W	40T / 13W
Powder Special 700	2000	70P / 13W	19T / 13W	40T / 13W
Prowler/Prowler Mtn. Cat	1991-94	70P / 11W	20T / 11W	39T / 11W
Puma/Puma 2-up/Dlx.	1994-97	70P / 11W	18T / 11W	40T / 11W
Sabercat 700	2004-05	72P / 13W	24T / 13W	39T / 13W
Sabercat 600	2004-05	72P / 13W	23T / 13W	40T / 13W
Sabercat 500	2004-06	70P / 13W	20T / 13W	39T / 13W
Thundercat	1993-01	72P / 13W	24T / 13W	39T / 13W
Thundercat Mountain Cat	1996-97	72P / 13W	23T / 13W	40T / 13W
Thundercat Mountain Cat	1999-00	70P / 13W	20T / 13W	39T / 13W
Wildcat/Wildcat Mtn. Cat	1990	72P / 11W	24T / 11W	39T / 11W

Model	Year	Chain Pitch	Top Gear	Bottom Gear
Wildcat 700/Wildcat 700 Mountain Cat	1991	72P / 11W	24T / 11W	39T / 11W
Wildcat 700	1992	72P / 13W	23T / 13W	40T / 13W
Wildcat 700 Mountain Cat	1992	72P / 13W	24T / 13W	39T / 13W
Wildcat 700/Wildcat 700 Mountain Cat	1993-96	72P / 13W	23T / 13W	40T / 13W
Z 370	1999-05	72P / 11W	18T / 11W	44T / 11W
Z 400	1995	70P / 13W	20T / 13W	39T / 13W
Z 440	1996-01	70P / 13W	20T / 13W	39T / 13W
Z 440	2002	70P / 11W	20T / 11W	39T / 11W
Z 440 S/P	1999	70P / 15W	20T / 15W	39T / 13W
Z 440 S/P	2000-02	70P / 15W	20T / 15W	39T / 13W
Z 440 S/P	2003	70P / 15W	19T / 15W	40T / 13W
Z 570	2002-06	70P / 13W	20T / 13W	39T / 13W
ZL 440	1997-00	70P / 13W	20T / 13W	39T / 13W
ZL 500	1999-02	70P / 13W	20T / 13W	39T / 13W
ZL 550	2001-03	70P / 13W	20T / 13W	39T / 13W
ZL 600	1999-00	70P / 13W	20T / 13W	39T / 13W
ZL 600	2001-03	72P / 13W	22T / 13W	41T / 13W
ZL 700	2000	72P / 13W	23T / 13W	40T / 13W
ZR 400	1995	70P / 13W	20T / 13W	39T / 13W
ZR 440	1993-97	70P / 13W	20T / 13W	39T / 13W
ZR 440	1998	70P / 13W	19T / 13W	40T / 13W
ZR 440 S/P	1998	70P / 13W	20T / 13W	39T / 13W
ZR 440 S/P	1999	70P / 15W	20T / 15W	39T / 13W
ZR 440 S/P	2000-01	70P / 15W	19T / 15W	40T / 13W
ZR 500	1998-02	70P / 13W	20T / 13W	39T / 13W
ZR 600	1998-02	70P / 13W	20T / 13W	39T / 13W
ZR 580	1993-97	70P / 13W	20T / 13W	39T / 13W
ZR 700	1994-95	72P / 13W	23T / 13W	40T / 13W
ZR 700	1999	72P / 13W	24T / 13W	40T / 13W
ZR 700	2000	72P / 13W	23T / 13W	40T / 13W
ZR 800	2001-03	72P / 13W	24T / 13W	39T / 13W
ZR 900	2003	74P / 15W	26T / 15W	41T / 13W
ZR 900	2005-06	N/A	66T	54T
ZRT 600	1995-02	72P / 13W	23T / 13W	40T / 13W
ZRT 800	1995-01	72P / 13W	24T / 13W	39T / 13W
4-Stroke Trail	2002-03	72P / 13W	18T / 13W	44T / 13W
440 S/P	2004	72P / 15W	19T / 15W	43T / 15W
440 S/P	2006-07	74P / 3/4W	20T / 3/4W	46T / 3/4W

### Formula to Calculate MPH

$$\text{RPM} \div \text{GR} \times \text{SC} \div 12 \times 60 \div 5280 = \text{MPH} @ 1:1 \text{ clutch ratio}$$

- GR = gear ratio (divide top sprocket into bottom sprocket)
- SC = sprocket circumference

### Formula to Calculate Chain

$$(\text{CD} \times 2) \div .375 + (\text{TS} + \text{BS}) \div 2 = \text{Pitch}$$

- CD = center distance (drive shaft to jackshaft)
- TS = top sprocket
- BS = bottom sprocket

Round number up to even number for proper pitch

- 7T-2.52" Pitch = 17.64 SC
  - 8T-2.52" Pitch = 20.16 SC
  - 9T-2.52" Pitch (standard OEM size) = 22.68 SC
  - 10T-2.52" Pitch = 25.2 SC
  - 7T Convolute - 3.29" Pitch = 23.03 SC
- Round number up to even number for proper pitch

# Gear & Chain Information

## Gear & Chain Information for Polaris Applications

Model	Year	Top	Bottom	Pitch	Width	Type
120 XCR	2000	--	42	--	--	#40
120 XC SP	2003	--	42	--	--	#40
120 ProX	2004-06	10	42	--	--	#40
340 Classic	2003	16	41	72	¾"	HYVO
340 Classic	2004-06	16	41	72	¾"	HYVO
340 Deluxe	1999-2002	17	41	66	¾"	HYVO
340 Touring	2000, 02-04	17	41	66	¾"	HYVO
340 Touring	2005-06	17	41	74	¾"	HYVO
400	1985-90	19	35	64	11	Silent
400 SKS	1988	18	35	64	11	Silent
440	1992, 94-97	21	39	66	11	Silent
440	1998	22	41	68	¾"	HYVO
440	1993	21	39	64	11	Silent
440 IQ	2005	19	45	76	⅞"	
440 ProX	2002	20	42	74	¾"	HYVO
440 ProX	2003	19	43	74	¾"	HYVO
440 ProX Fan	2002-03	21	41	74	¾"	HYVO
440 ProXR	2004	19	43	74	¾"	HYVO
440 SKS	1993-95	20	39	66	11	Silent
440 XC	1991	21	39	66	11	Silent
440 XC	1997	21	39	66	13	Silent
440 XC SP	1999	21	41	70	¾"	HYVO
440 XCR	1992, 1996	21	39	66	11	Silent
440 XCR	1993, 1995	21	39	66	13	Silent
440 XCR	1997	22	41	70	15	Silent
440 XCR	1998	21	39	68	¾"	HYVO
440 XCR SP	1996	21	39	66	11	Silent
500	1989-90	19	35	64	11	Silent
500	1991, 95-96	21	39	66	11	Silent
500	1997	21	39	66	13	Silent
500	1998	22	41	68	¾"	HYVO
500 Classic	1992	20	29	66	11	Silent
500 Classic	1993	21	39	64	11	Silent
500 Classic	1994-95	21	39	66	11	Silent
500 Classic	1996-97	21	39	66	13	Silent
500 Classic	1998	22	41	68	¾"	HYVO
500 Classic	1999	22	41	70	¾"	HYVO
500 Classic	2000	21	39	66	¾"	HYVO
500 Classic	2001	21	39	66	¾"	HYVO
500 Classic	2002, 05-06	21	40	74	¾"	HYVO
500 Classic	2003	19	39	72	¾"	HYVO
500 Classic	2004	18	40	74	¾"	HYVO
500 Classic Tour.	1994	20	39	66	11	Silent
500 Classic Tour.	1996	20	39	66	11	Silent
500 Classic Tour.	1997	19	39	66	13	Silent
500 Classic Tour.	1998, 02-03	19	40	66	¾"	HYVO
500 Edge	2003-04	21	40	74	¾"	HYVO
500 EFI	1993	21	39	64	11	Silent
500 EFI	1994-95	21	39	66	11	Silent
500 EFI	1996-97	21	39	66	13	Silent
500 EFI RMK	1996	18	39	66	11	Silent
500 EFI SKS	1993-96	20	39	66	11	Silent
500 EFI SKS PT	1995	20	39	66	11	Silent
500 INDY	1999	22	41	70	¾"	HYVO
500 INDY	2000	21	39	66	¾"	HYVO
500 INDY	01-02, 05-06	21	40	74	¾"	HYVO
500 RMK	1996	18	39	66	11	Silent
500 RMK	1997	19	49	66	13	Silent
500 RMK	1998	17	41	66	13	Silent
500 RMK	1999	17	41	66	¾"	HYVO
500 RMK	2000-01	18	41	68	¾"	HYVO
500 RMK (136)	2002	18	41	68	¾"	HYVO
500 SKS	1989-90	18	35	64	11	Silent
500 SKS	1991, 1996	20	39	66	11	Silent
500 SKS	1992	21	39	66	11	Silent
500 SKS	1997	20	39	66	13	Silent
500 SP	1992	21	39	66	11	Silent
500 XC	1999-2000	22	41	70	¾"	HYVO
500 XC	2001	22	40	72	¾"	HYVO
500 XC	2002-03	22	40	74	¾"	HYVO
500 XC SP	1999	22	41	70	¾"	HYVO
500 XC SP	2001-06	22	40	74	¾"	HYVO

Model	Year	Top	Bottom	Pitch	Width	Type
500 XCSP (M-10)	2002-05	22	40	74	¾"	HYVO
550 Classic	2002, 04-06	19	39	72	¾"	HYVO
550 ProX Fan	2004	21	41	74	¾"	HYVO
600	1985	19	35	64	11	Silent
600	1986-87	21	35	64	11	Silent
600 Classic	2001	22	40	74	¾"	HYVO
600 Classic	2002	23	39	74	¾"	HYVO
600 Classic	2003-06	23	39	74	¾"	HYVO
600 Classic Tour.	2001	19	40	68	¾"	HYVO
600 Classic Tour.	2002	18	40	68	¾"	HYVO
600 Classic Tour.	2003	20	40	66	¾"	HYVO
600 HO Fusion	2006	23	39	76	¾"	HYVO
600 HO RMK (144)	2006	20	41	76	¾"	HYVO
600 HO Switchback	2006	22	39	76	¾"	HYVO
600 ProX	2002	24	41	76	¾"	HYVO
600 ProX	2003-04	23	39	74	¾"	HYVO
600 ProX-2	2004	23	39	74	¾"	HYVO
600 Switchback	2004-05	22	40	74	¾"	HYVO
600 RMK	1998-99	19	40	66	¾"	HYVO
600 RMK	2001	19	49	68	¾"	HYVO
600 RMK (136)	2002	19	39	72	¾"	HYVO
600 RMK (144)	2003, 05-06	19	39	72	¾"	HYVO
600 RMK	2004	19	39	72	¾"	HYVO
600 Touring	2005-06	21	41	74	¾"	HYVO
600 XC	1997	21	39	66	13	Silent
600 XC	1998-99	22	40	70	¾"	HYVO
600 XC Deluxe	2000	22	41	70	¾"	HYVO
600 XC SP	1999	22	40	70	¾"	HYVO
600 XC SP	2000-05	23	39	74	¾"	HYVO
600 XC SP (M-10)	2002-05	23	39	74	¾"	HYVO
600 XCR	1994-96	21	39	66	11	Silent
600 XCR	1997	21	35	64	13	Silent
600 XCR	1998	23	40	68	¾"	HYVO
600 XCR SP	1996	21	35	64	13	Silent
650	88-89, 1991	21	35	64	11	Silent
650	1990	19	35	64	11	Silent
650	1992	21	39	66	11	Silent
650 SKS	1989, 1991	19	35	64	11	Silent
650 SKS	1990	18	35	64	11	Silent
700 Classic	2001	23	40	70	¾"	HYVO
700 Classic	2002	23	39	74	¾"	HYVO
700 Classic	2002	25	41	76	¾"	HYVO
700 Classic	2003-04	25	40	76	¾"	HYVO
700 Classic Tour.	2003	22	40	74	¾"	HYVO
700 HO Fusion	2006	26	40	78	¾"	HYVO
700 ProX	2003-04	25	41	76	¾"	HYVO
700 ProX-2	2004	25	41	76	¾"	HYVO
700 RMK	1997	20	39	66	13	Silent
700 RMK	1998-99	21	41	70	¾"	HYVO
700 RMK	2000	20	39	68	¾"	HYVO
700 RMK	2004	19	39	72	¾"	HYVO
700 RMK	2003	23	39	74	¾"	HYVO
700 RMK (151)	2002	19	39	72	¾"	HYVO
700 RMK (151)	2003	21	41	74	¾"	HYVO
700 RMK (144)	2001	19	40	68	¾"	HYVO
700 RMK (144)	2002, 05-06	19	39	72	¾"	HYVO
700 RMK (144)	2003	21	41	74	¾"	HYVO
700 RMK (136)	2001	20	39	68	¾"	HYVO
700 RMK (136)	2002	21	41	74	¾"	HYVO
700 SKS	1997	20	35	66	13	Silent
700 SKS	2000-02	23	40	70	¾"	HYVO
700 SKS	2003	23	39	74	¾"	HYVO
700 Switchback	2004	23	39	74	¾"	HYVO
700 XC	1997-98	24	40	70	¾"	HYVO
700 XC	1999	24	40	68	¾"	HYVO
700 XC	2001	23	39	74	¾"	HYVO
700 XC Deluxe	2000	23	40	70	¾"	HYVO
700 XC Edge	2004	25	41	76	¾"	HYVO
700 XC SP	1999	24	40	68	¾"	HYVO
700 XC SP	2000	24	40	70	¾"	HYVO
700 XC SP	2002-03	25	40	76	¾"	HYVO
700 XC SP (M-10)	2002-05	25	40	76	¾"	HYVO

# Gear & Chain Information

## Gear & Chain Information for Polaris Applications

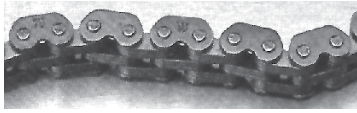
Model	Year	Top	Bottom	Pitch	Width	Type
700 XCR	1998-99	24	40	68	¾"	HYVO
750 Storm	1993-94	23	37	66	13	Silent
750 Storm SKS	1993	23	37	66	13	Silent
750 Storm SKS	1994	21	37	66	13	Silent
800 Classic	2004	25	40	76	¾"	HYVO
800 Classic Tour.	2003	22	40	74	¾"	HYVO
800 LE Edge	2001	25	41	76	¾"	HYVO
800 ProX	2003-04	25	40	76	¾"	HYVO
800 ProX-2	2004	25	40	76	¾"	HYVO
800 ProXR	2004	25	40	76	¾"	HYVO
800 RMK	2000	22	41	70	¾"	HYVO
800 RMK	2001	20	39	68	¾"	HYVO
800 RMK (144)	2002-05	21	41	74	¾"	HYVO
800 RMK (151)	2002-05	21	41	74	¾"	HYVO
800 RMK (156)	2002	19	39	72	¾"	HYVO
800 RMK (159)	2003, 2005	19	39	72	¾"	HYVO
800 SKS	2003	23	39	74	¾"	HYVO
800 Storm	1995-96	23	37	66	13	Silent
800 Storm	1998	25	40	70	¾"	HYVO
800 Storm RMK	1996	20	39	66	13	Silent
800 Storm SKS	1995	20	35	66	13	Silent
800 Storm SKS	1996	29	36	64	13	Silent
800 Storm SKS PT	1995	20	35	66	13	Silent
800 Switchback	2004-05	23	39	74	¾"	HYVO
800 XC	2001	25	41	76	¾"	HYVO
800 XC Edge	2004	25	40	76	¾"	HYVO
800 XC SP	2002-03	25	40	76	¾"	HYVO
800 XCSP (M-10)	2002-05	25	40	76	¾"	HYVO
800 XCR	1999	24	39	68	¾"	HYVO
800 XCR	2000-03	24	39	70	¾"	HYVO
900 Fusion	2005-06	25	37	76	¾"	HYVO
900 RMK	2005	19	39	90	¾"	HYVO
900 Switchback	2005	24	37	92	¾"	HYVO
Classic Touring	1999-2000	19	40	66	¾"	HYVO
Frontier	2002	17	40	72	¾"	HYVO
Frontier Classic	2003	18	39	72	¾"	HYVO
Frontier Classic	2004	19	39	72	¾"	HYVO
Frontier Touring	2003	18	41	74	¾"	HYVO
Frontier Touring	2004-05	20	41	74	¾"	HYVO
Lite	1993-97	16	39	64	11	Silent
Lite	1998	16	39	64	13	Silent
Lite Deluxe	1993-97	16	39	64	11	Silent
Lite Deluxe	1998	16	39	64	13	Silent
Lite GT	1992-97	16	39	64	11	Silent
Lite Touring	1998	16	39	64	13	Silent
Longtrack	1985	19	35	64	11	Silent
Longtrack	1986-89	19	39	66	11	Silent
RXL	1991-92	20	35	64	11	Silent
RXL	93-94, 1996	20	35	64	13	Silent
RXL	1995	20	35	66	13	Silent
RXL	1997	20	35	64	15	Silent
RXL SKS	1992	21	39	66	11	Silent
RXL SKS	1993-94	21	39	66	13	Silent
RXL Touring	1995	21	39	66	13	Silent
Sport	87-90, 1997	17	35	62	11	Silent
Sport	1991-96	16	35	62	11	Silent
Sport	1998	17	35	62	13	Silent
Sport	1999	19	39	66	¾"	HYVO
Sport	2000	19	49	66	¾"	HYVO
Sport Touring	1995-97	16	39	64	11	Silent
Sport Touring	1998	17	41	66	13	Silent
Sport Touring	1999	17	41	66	¾"	HYVO
Sport Touring	2000, 02-03	18	40	68	¾"	HYVO
Sport Touring	2001	18	40	68	¾"	HYVO
Sport Touring	2004	21	41	74	¾"	HYVO
Sport GT	1989-90	17	35	62	11	Silent
Sport GT	1991-92	16	39	64	11	Silent
Sport SKS(rental)	1994	16	39	62	11	Silent
Starlite	1993-95	15	41	66	11	Silent
Starlite GT	1993-94	15	41	66	11	Silent
Startrack	1987-90	15	39	64	11	Silent
Storm RMK	1997	20	39	64	15	Silent

Model	Year	Top	Bottom	Pitch	Width	Type
Storm SE	1997	23	37	66	15	Silent
Supersport	1995-96	17	35	62	11	Silent
Supersport	1997	21	39	66	13	Silent
Supersport	1998	22	41	68	¾"	HYVO
Supersport	1999	19	39	64	¾"	HYVO
Supersport	2000-01	19	39	66	¾"	HYVO
Supersport	2002-06	19	39	72	¾"	HYVO
Supertrack	1989-92	19	39	66	11	Silent
Touring	1993	20	39	66	11	Silent
Trail	1985	19	35	64	11	Silent
Trail	1986-91	21	35	64	11	Silent
Trail	1992, 94-97	21	39	66	11	Silent
Trail	1993	21	39	64	11	Silent
Trail	1998	22	41	68	¾"	HYVO
Trail	1999	22	41	70	¾"	HYVO
Trail Deluxe	1991-92	21	39	66	11	Silent
Trail Deluxe	1994-95	22	41	64	11	Silent
Trail RMK	1997	19	40	66	11	Silent
Trail RMK	1998-99	18	41	66	¾"	HYVO
Trail RMK	2000-02	18	41	68	¾"	HYVO
Trail RMK	2003	18	41	74	¾"	HYVO
Trail RMK	2004	17	39	72	¾"	HYVO
Trail RMK (136)	2005-06	19	43	74	¾"	HYVO
Trail SKS	1988	19	35	64	11	Silent
Trail Touring	1996-97	20	39	66	11	Silent
Trail Touring	1998-99	20	40	66	¾"	HYVO
Trail Touring	2000, 02-03	19	40	66	¾"	HYVO
Trail Touring	2004-06	19	41	74	¾"	HYVO
Transport	1996-97	15	39	64	11	Silent
Transport	1998	15	39	64	13	Silent
Transport	1999	16	39	64	¾"	HYVO
Ultra	1997	21	35	64	13	Silent
Triumph	2000	21	39	66	¾"	HYVO
Ultra	1998	23	40	68	¾"	HYVO
Ultra RMK	1996	20	39	66	13	Silent
Ultra SKS	1996	20	35	64	13	Silent
Ultra SE	1997	21	35	64	13	Silent
Ultra SP	1996-97	21	35	64	13	Silent
Ultra SPX	1997	21	35	64	13	Silent
Ultra Touring	1997	20	35	64	13	Silent
Ultra Touring	1998	22	40	68	¾"	HYVO
Vertical Escape	2003-04	19	39	72	¾"	HYVO
Widetrack	1990-93	19	41	66	11	Silent
Widetrack GT	1994-95	19	41	66	11	Silent
Widetrack GT	1996	18	41	66	11	Silent
Widetrack LX	1994-95	19	41	66	11	Silent
Widetrack LX	1996	18	41	66	11	Silent
Widetrack LX	1999	19	41	66	¾"	HYVO
Widetrack LX	2001	19	41	66	¾"	HYVO
XCF	1997	20	39	66	11	Silent
XCF	1998	19	39	66	¾"	HYVO
XCF	1999	19	40	66	¾"	HYVO
XCF	2000	21	41	74	¾"	HYVO
XCR	1994	21	39	66	13	Silent
XCR SP	1994	21	39	66	11	Silent
XLT	1993-97	21	39	66	13	Silent
XLT Classic	1998	22	41	68	¾"	HYVO
XLT Classic	1999	22	41	70	¾"	HYVO
XLT EXTRA-12	1994	21	39	66	13	Silent
XLT LTD. SP	1997	21	39	66	15	Silent
XLT LTD.	1998	22	41	68	¾"	HYVO
XLT RMK	1996	18	39	66	13	Silent
XLT RMK	1997	18	40	66	13	Silent
XLT SKS	1993-97	20	39	66	13	Silent
XLT SKS PT	1995	20	39	66	13	Silent
XLT SP	1993-97	21	39	66	13	Silent
XLT SP	1998	22	41	68	¾"	HYVO
XLT SP	1999	22	41	70	¾"	HYVO
XLT Touring	1995-96	20	39	66	13	Silent
XLT Touring	1997	20	40	66	13	Silent
XLT Touring	1998-99	20	40	66	¾"	HYVO

# Silent Chain

## Silent Chain by "Link Belt"

All Chains are American Made by Link Belt Inc. They fit Arctic Cat, John Deere, Polaris, Ski-Doo, Yamaha.



Length	Style	Part #	Price
64 links	11	017-64-11	\$59.95
66 links	11	017-66-11	\$62.95
68 links	11	017-68-11	\$62.95
70 links	11	017-70-11	\$63.95
72 links	11	017-72-11	\$65.95
74 links	11	017-74-11	\$66.95
84 links	11	017-84-11	\$67.95
90 links	11	017-90-11	\$69.95
64 links	13	017-64-13	\$66.95
66 links	13	017-66-13	\$71.94
68 links	13	017-68-13	\$71.94
70 links	13	017-70-13	\$73.95
72 links	13	017-72-13	\$77.94
74 links	13	017-74-13	\$78.95
76 links	13	017-76-13	\$77.94
78 links	13	017-78-13	\$83.94
80 links	13	017-80-13	\$83.94
82 links	13	017-82-13	\$83.94
84 links	13	017-84-13	\$89.94
86 links	13	017-86-13	\$89.94
88 links	13	017-88-13	\$89.94
96 links	13	017-96-13	\$81.95
98 links	13	017-98-13	\$81.95
102 links	13	017-102-13	\$95.94
104 links	13	017-104-13	\$95.94
106 links	13	017-106-13	\$95.94
64 links	15	017-64-15	\$74.95
66 links	15	017-66-15	\$79.95
68 links	15	017-68-15	\$83.95
70 links	15	017-70-15	\$109.95
72 links	15	017-72-15	\$119.95
74 links	15	017-74-15	\$94.95
76 links	15	017-76-15	\$97.95

Part #	Price	Description
003-118-04	\$16.95	#428H-Single 62 Links - 1/2" Pitch
003-125-04	\$34.99	35-2 Double, 90 Links
003-119-02	\$29.99	#315-2-Double 84 Links - 3/8" Pitch
003-119-03	\$29.99	#315-2-Double 86 Links - 3/8" Pitch
003-119-04	\$29.99	#315-2 - Double 88 Links - 3/8" Pitch
003-119-05	\$24.95	#315-2 89 Links - 3/8" Pitch0
003-119-06	\$29.99	#315-2 90 Link - 3/8" Pitch
003-121-01	\$49.99	3/8" Pitch, Triple, 64 Links
003-121-02	\$49.99	3/8" Pitch, Triple, 66 Links
003-121-03	\$49.99	3/8" Pitch, Triple, 68 Links
003-121-04	\$59.99	3/8" Pitch, Triple, 82 Links
003-121-05	\$59.99	3/8" Pitch, Triple, 90 Links
003-121-06	\$59.99	3/8" Pitch, Triple, 92 Links
003-121-07	\$59.99	3/8" Pitch, Triple, 94 Links
003-121-08	\$115.95	3/8" Pitch, Triple, 188 Link
003-121-09	\$99.95	3/8" Pitch, Triple, 186 Link
003-122	\$99.95	1/2" Pitch, Triple, 78 Link
003-125-04	\$34.99	35-2, Double, 90 Link

## Silent Chain Application Guide

Model	Year	Part #
<b>Arctic Cat</b>		
Bearcat 340	1995-99	017-72-13
Bearcat 440,550	1995-99	017-70-13
Cheetah 340	1972	003-125-04
Cheetah f/c	1986-87	017-68-11
Cheetah 340	1972	003-125-04
Cheetah 340,440	1973-77	017-90-11
Cheetah 5000	1978	017-90-11
Cheetah l/c	1986-87	017-72-11
Cheetah l/c	1988	017-68-11
Touring	1988-94	017-70-11
Cougar	1968	003-125-04
Cougar SE	1985	017-72-11
Cougar SE	1986-90	017-68-11
Cougar H.A.	1991	017-72-11
Cougar M.C.	1990	017-68-11
Cougar M.C.	1988-98	017-70-13
Cougar, 2 up	1991	017-72-11
Cougar, 2 up	1992-95	017-70-11
Cross Country	1976-77	017-68-11
El-Tigre 295, 340	1974-75	017-70-11
El-Tigre 340,400,440	1973	017-70-11
El-Tigre 400,440	1974-76	017-72-11
El-Tigre 4000,5000	1977-81	017-72-11
El-Tigre 440	1975-76	017-68-11
El-Tigre 500	1976	017-68-11
El-Tigre 5000	1988	017-70-11
El-Tigre 6000	1988-89	017-68-11
El-Tigre 6000	1978-87	017-72-11
El-Tigre M.C.	1990	017-68-11
El-Tigre XC	1979	017-66-11
El-Tigre Z 250	1973-77	017-68-11
El-Tigre Z 340	1975	017-70-11
EXT	1989-90	017-68-11
EXT 340	1973	017-68-11
EXT 340	1970-71	003-125-04
EXT 440,650	1973	017-70-11
EXT 580,EFI,MC	1993-98	017-70-13
EXT 600	1997-99	017-72-13
EXT SP, EFI	1990-92	017-70-11
EXT M.C.	1991	017-72-11
Jag AFS,Dlx	75-80	017-70-11
Jag 275,340,3000	1976-80	017-70-11
Jag 340	1975	017-70-11
Jag 340,Dlx.	1988-97	017-70-11
Jag 2000F/A	1978-80	017-70-11
Jag 4000	1981	017-68-11
Jag L/T	1981	017-72-11
Lynx 250	1975	017-84-11
Lynx 2000T	1978	017-90-11
Lynx Dlx	1991-93	017-70-11
Pantera 436,440	1988-92	017-68-11
Pantera 440	1975	017-90-11
Pantera 550,580	1993-98	017-70-13
Pantera 800	1998-99	017-72-13
Pantera 5000	1976	017-70-11
Pantera f/a	77-80/88	017-68-11
Pantera f/c	1977-80	017-66-11
Pantera	1980-88	017-68-11
Pantera L/C	1985-87	017-72-11
Panther	1984-88	017-68-11
Panther	1968-70	003-125-04
Panther	1971	003-125-04

Model	Year	Part #
Panther 295,340	1973	017-90-11
Panther 295	1974	017-90-11
Panther 440	1974-76	017-90-11
Panther 440,550	1996-99	017-70-13
Panther 4000,5000	1977-79	017-90-11
Panther Dlx.	1989-96	017-70-13
Powder Extreme 600	1997-98	017-70-13
Powder Spec. 580,600	1995-99	017-70-13
Prowler	1990-95	017-70-11
Puma	1970-72	003-125-04
Puma	1994-97	017-70-11
Super Jag	1988-92	017-70-11
Super Jag	1987	017-68-11
Thundercat	1993-99	017-72-13
Hi Altitude	1993-99	017-70-13
Trail Cat 4000	1980-81	017-72-11
Trail Cat F/C	1979-80	017-70-11
Wildcat 650,700MC	1988-95	017-72-13
Wildcat 700 HA	1996	017-70-11
Wildcat MC, EFI	1992-93	017-70-11
Z 340	1977	017-66-11
Z 440	1976-77	017-70-11
Z,ZL 440,500,600	1994-99	017-70-13
ZR 440, 500, 580, 600, EFI	1993-99	017-70-11
ZR 700	1994-95	017-72-11
ZRT 600,800	1995-99	017-72-13
ZRT 600,800(H.A.)	1995-99	017-70-13

John Deere		
300	1974	003-125-04
400	1975-77	003-125-04
400,500	1972-74	003-125-04
600, JDX 4	1973-75	003-125-04
Cyclone 340	1976-78	017-66-11
Cyclone 440	1976-78	017-68-11
Liquidator	1976	017-66-11
Liquifire 340	1976-78	017-66-11
Liquifire 440	1980-83	017-66-11
Liquifire 440	1976-78	017-68-11
Sportfire 440	1980-83	017-66-11
Trailfire 340	1979	017-66-11
Trailfire 440	1980-83	017-66-11
Trailfire 440	1979	017-68-11

Kawasaki		
Drifter 340	1979-81	017-90-11
Interceptor	1981-82	017-66-11
Intruder 440	1978-82	017-66-11
Invader 340	1978-80	017-64-11
Invader 440	1978-81	017-66-11
Inviter 340	1978	017-90-11
Limited 440	1980-81	017-66-11

Moto-Ski		
Futura 400	1977-79	003-119-06
Futura 440	1976-79	003-121-07
Futura 444	1980-82	003-121-01
Futura 444	1978-79	003-121-05
Futura 500	1980-82	003-121-03
Grand Prix SP	1979-81	003-121-03
Mirage 300	1979	003-119-04
Mirage I, II	1980-83	003-119-03
Mirage III	1985	003-119-04
Mirage SP	1985	003-119-04
Nuvik 300, 340	1975-79	003-119-04
Nuvik 300,340 (twin)	1975-76	003-119-05
Nuvik 440 (twin)	1977	003-121-05

## Silent Chain Application Guide

Model	Year	Part #
Sonic 250	1976	003-119-06
Sonic 340TS	1975-78	003-121-06
Sonic L/C	1984	003-121-06
Spirit 250	1976-83	003-118-04
Super Sonic	1981-82	003-121-02
Super Sonic	1979	003-121-06
Super Sonic XC	1979	003-121-07
Ultra Sonic	1980-82	003-121-03

### Polaris

340 Classic	2003-05	HY72-34
340 Edge, Classic	2003	HY72-34
340 Indy Touring	2004-05	HY72-34
500 Indy Classic	2003-05	HY74-34
500 Indy Classic	1999	HY66-34
500 RMK	2000-03	HY66-34
500 SKS	2000-02	HY66-34
500 XC SP	2003-05	HY74-34
Cent. 500 STD	1979-82	017-64-11
Charger	1969-73	003-125-04
Custom 400	1973-74	003-125-04
Electra 250,340	1974-77	003-125-04
Grizzly	1982-85	003-122
Indy 400	1984-90	017-64-11
Indy 400 XC	1991	017-66-11
440,XCR, SKS	1992-97	017-66-11
Indy 500, Classic, SKS	1989-90	017-64-11
Indy 500, Classic, SKS	1991-97	017-66-11
Indy 500 SP, EFI	1992-97	017-66-11
Indy 600	1983-87	017-64-11
Indy 650 SKS	1988-90	017-64-11
Indy 650 RXL	1990-92	017-64-11
Indy 650,SKS,EFI	1992	017-66-11
Indy 700, SKS	1997	017-66-13
Indy Lite, DLX GT	1991-97	017-64-11
Indy Lite, Dlx.	1993-97	017-64-11
Indy SP	1989-90	017-64-11
Indy SP GT	91-92	017-64-11
	94-97	
Indy Supertrak	1989-92	017-66-11
Indy Starlite	1993-95	017-66-11
Indy Starlite GT	1993-95	017-64-11
Indy Storm, SK	1993-96	017-66-13
Indy Storm, SKS	1997-98	017-66-15
Indy Touring	1994-95	017-66-11
Indy Trail	1983-91	017-64-11
Indy Trail	1992-95	017-66-11
Indy Trail Dlx	1991-93	017-64-11
Indy Trail Dlx	1992	017-66-11
Indy Trail, Tour, RMK	1996-97	017-66-11
Indy X-City	1983	017-66-11
Indy XCR 600	1994-95	017-66-11
Indy Widetrack	1990-95	017-66-11
Longtrak	1983-89	017-66-11
Mustang	1969-73	003-125-04
RXL, SKS	1993-95	017-66-13
Starfire250,340	1976	017-64-11
Startrak	1987-90	017-64-11
Starlite GT	1993	017-64-11
Supersport	1997	017-66-11
Supertrak	1989-92	017-66-11
TC-X 440	1981-82	017-64-11
Transport	1996-97	017-64-11
TX (all)	1972-75	003-125-04
TX 250	1976-79	017-64-11
TX 340,440	1976-80	017-66-11

Model	Year	Part #
TX-C 340	1978-82	017-66-11
TX-L 340	1977-82	017-66-11
TX-L Widetrak	1989-94	017-66-11
TX Charger	1970-72	003-125-04
TX Colt	1970	003-125-04
TX Playmate	1970	003-125-04
TX Racer	1971-72	003-125-04
Voyager	1970-71	003-125-04
Widetrak GT, L	1994-97	017-66-11
XCF	1997	017-66-11
XCR 440	1993-97	017-66-13
XCR 600	1994-97	017-66-13
XLT (all)	1993-97	017-66-13

### Ski-Doo

Alpine 440	1973-74	003-121-07
Alpine 503	1983-87	003-121-06
Alpine 640	1973-82	003-121-05
Blizzard	1972	003-121-04
Blizzard 246,292,340,436	1970-71	003-119-04
Blizzard 5500,9500	1979-82	003-121-03
Blizzard 636, 736	1970	003-119-06
Blizzard 6500 +	1978	003-121-06
Blizzard 7500 +	1980-81	003-121-02
Blizzard7500 +	1979	003-121-06
Blizzard 9700 MX	1983-84	003-121-03
Blizzard XC	1979	003-121-07
Citation 300, SS	1978-83	003-119-04
Citation 3500,4500	1980-84	003-119-03
Elan 250	1973-96	003-118-04
Elan 250 (twin)	1973-79	003-119-02
Elite 450 L/C	1978-80	003-121-08
Elite 464 L/C	1981-82	003-121-09
Everest 340	1977-79	003-119-04
Everest 440	1974-75	003-121-06
Everest 444	1980-83	003-121-01
Everest 444	1978-79	003-121-05
Everest 500	1980-83	003-121-03
Expedition 550	2005	017-72-13
Expedition 600	2005	017-76-13
Expedition 1000	2005	017-72-15
Formula 500 +	1990	017-68-11
Formula 500, Dlx.	1997-99	017-72-11
Formula 583, Dlx.	1997-99	017-74-13
Formula III 600	1995-97	017-74-13
Formula III LT	1996-98	017-72-15
Formula III 600	1998	017-72-15
Formula III 700	1998	017-74-13
Formula MX	1989	017-68-11
Formula MX,LT,XTC	1985-95	017-72-11
Formula +	1985	017-70-11
Formula +, LT	1985-90	017-68-11
Formula + LT	1989	017-72-11
Formula + X	1993	017-72-11
Formula +, EFI	1993-94	017-74-11
Formula +, XTC	1991-92	017-70-11
Formula S, SL, SLS	1996-99	017-72-11
Formula SP, SS	1985-86	003-121-06
Formula SS	1995-96	017-74-13
Formula ST	1994-95	017-72-11
Formula STX	1994-96	017-74-11
Formula Z	1994-97	017-74-11
Formula Z 580,670	1998-99	017-74-13
Grand Tour. 500	1996-99	017-72-11
Grand Tour. 580	1995-96	017-74-11
Grand Tour. SE	1993-97	017-74-13

Model	Year	Part #
Mach I 580, 617	1989-92	017-70-11
Mach I, XTC	1993-98	017-74-13
Mach Z, LT	1994-98	017-74-13
MXZ 440F	1997-99	017-72-11
MXZ 440	1994	017-74-13
MXZ 583, 670	1996-99	017-74-13
Nordic 371,399,440	1969-72	003-119-04
Nordic 640	1970-71	003-119-06
Nordic 640	1972-74	003-121-07
Nordic	1981-83	003-119-03
Nordic 50	1987-91	003-121-06
Olympic 300,355,340	1970-79	003-119-04
Olympic 300,340,440	1976	003-119-05
Olympic 370,399,440	1969-74	003-119-04
Olympic + 440	1977	003-121-05
Safari Grand Luxe	1985-86	003-121-06
Safari Saga Scout	1989-91	003-119-04
Safari Scout	1991-92	003-119-04
Skandic 277, 377	1982-86	003-119-03
Skandic 335	1970-73	003-119-03
Skandic 380, 500	1995-98	017-72-11
Skandic 380, 500	1999	017-70-11
SS 25	1984	003-121-06
Summit 470	1994-95	017-72-11
Summit 500	1996-99	017-72-11
Summit 600	1999	017-74-13
Summit X 670	1999	017-72-11
Summit 583, 670	1995	017-74-15
TNT 292,340,440	1971-78	003-119-04
TNT 400,440,640	1972	003-121-05
TNT 440	1973	003-121-05
TNT 440 F/C	1974-78	003-121-06
TNT 640,669,775	1969-71	003-119-04
TNT 775	1972	003-121-06
TNT Everest 440	1976-79	003-121-07
TNT F/A	1973-75	003-121-04
TNT F/A 440	1977	003-121-06
TNT RV 250	1976	003-119-06
TNT RV 340	1976-79	003-121-06
Touring (all)	1996-99	017-72-11
Tundra, LT	1985-99	003-118-04
Valmont 440	1973	003-121-07

### Sno-Jet

Astro SS 340,440	1975-76	003-125-04
Sabre Jet 440	1974	003-125-04
SST F/A 340,440	1975	003-125-04
SST F/C 440	1975-76	003-125-04
Whisper Jet 440	1973-75	003-125-04

### Yamaha

Exciter 570,570E	1991-93	017-68-11
Mtn Max 700	1997-03	017-70-11
Phazer 480, SS	1991-98	017-64-11
Phazer ST, SSE	1991-98	017-66-11
Phazer Mtn 480	1999	017-66-11
SR 540	1991	017-68-11
SX R 700	2000-02	017-70-11
V-Max 500 DX,ST	1994-96	017-68-11
V-Max 500 XT,XTC	1997-99	017-70-11
V-Max 500 DLX,SX	1999	017-70-11
V-Max 500, 500LE	1994-96	017-68-11
V-Max 600 SX,XT,XTC	1997-99	017-70-11
V-Max 600 DLX, SX	1999	017-70-11
V-Max 700 SX	1997-99	017-70-11
Venture 500,600	1997-98	017-70-11
Venture 700	1998-03	017-70-11
Venture GT	1993	017-64-11

# Silent Chain Sprockets

## Silent Chain Sprockets for Arctic Cat, Polaris, John Deere

These sprockets are machined from **heat treated, case hardened metal**. A must for any performance snowmobiler or racer. Many racers in ISOC, MRP, SWDRA, Canadian Pro and USSA use these sprockets because of their durability.



### 11-Link 1 7/32" Wide Sprockets (case hardened steel)

- Fits Polaris 1994 and older, Arctic Cat 1993 and older, John Deere

Links Wide	Inner Spline	# Teeth	TEAM Sprockets		Imported	
			Part #	Price (G)	Part #	Price (G)
<b>Top Sprocket</b>						
11	13	17	017-1117	\$35.94	03017	\$21.95
11	13	18	017-1118	\$35.94	03018	\$23.05
11	13	19	017-1119	\$35.94	03019	\$23.05
11	13	20	017-1120	\$35.94	03020	\$24.15
11	13	21	017-1121	\$35.94	03021	\$24.15
11	13	22	017-1122	\$35.94	03022	\$27.45
11	13	23	017-1123	\$35.94	-	-
11	13	25	017-1125*	\$29.95	-	-
11	13	26	017-1126*	\$29.95	-	-
<b>Bottom Sprocket</b>						
11	15	33	017-1133	\$49.95	-	-
11	15	34	017-1134	\$49.95	-	-
11	15	35	017-1135	\$59.94	03035	\$53.85
11	15	37	017-1137	\$49.95	03037	NLA
11	15	38	017-1138	\$49.95	03038	\$65.95
11	15	39	017-1139	\$59.94	03039	\$60.45
11	15	42	017-1142	\$49.95	03042	\$63.75
11	15	44	017-1144*	NLA	-	-

\*Only fits Arctic Cat

### 13-Link 2 1/32" Wide Sprockets (case hardened steel)

- Fits Polaris 1995-2005, Arctic Cat 1993-2005

Links Wide	Inner Spline	# Teeth	TEAM Sprockets		Imported	
			Part #	Price (G)	Part #	Price (G)
<b>Top Sprocket</b>						
13	13	16	017-1316	\$41.94	-	-
13	13	17	017-1317	\$41.94	-	-
13	13	18	017-1318	\$41.94	03118	\$32.95
13	13	19	017-1319	\$41.94	03119	\$32.95
13	13	20	017-1320	\$41.94	03120	\$32.95
13	13	21	017-1321	\$41.94	03121	\$32.95
13	13	22	017-1322	\$41.94	03122	\$32.95
13	13	23	017-1323	NLA	03123	\$32.95
13	13	24	017-1324	\$41.94	03124	\$32.95
13	13	25	017-1325*	\$41.94	03125	\$32.95
13	13	26	-	-	03126	\$32.95
<b>Bottom Sprocket</b>						
13	13	33	017-1333	\$65.94	-	-
13	15	34	017-1334	\$65.94	-	-
13	15	35	017-1335	\$72.99	03135	\$54.95
13	15	36	017-1336	\$65.94	03136	\$54.95
13	15	37	017-1337	\$65.94	03137	\$54.95
13	15	38	017-1338	\$65.94	03138	\$54.95
13	15	39	017-1339	\$65.94	03139	\$54.95
13	15	40	017-1340	\$65.94	03140	\$54.95
13	15	41	017-1341	\$65.94	03141	\$54.95
13	15	42	017-1342	\$65.94	03142	\$54.95
13	15	43	017-1343*	\$65.94	03143	\$54.95

\*Only fits Arctic Cat

### 15-Link Wide Sprockets

(case hardened steel)

- 15 inner splines fit larger jackshafts
- 13 inner splines fit older smaller jackshafts



Links Wide	Inner Spline	# Teeth	Part #	Price (G)
<b>Top Sprocket</b>				
15	13	22	017-1522	\$39.95
15	13	24	017-1524	\$39.95
<b>Bottom Sprocket</b>				
15	15	34	017-1534	\$59.95
15	15	35	017-1535	\$49.95
15	15	42	017-1542	\$59.94



### X-Series Sprockets for Polaris

Large jackshaft 15 inner spline sprockets. These Sprockets will ONLY fit 1995 XLT 600 Xtra, 1995 RXL Ultra and most 1996-97 models. For 1996-97 all twins with Xtra10 use X11 wide (also 1996 XCR 600). All triples (except XCR 600) use X13 wide. All Sprockets have a one year free replacement Warranty against breakage.



### 11-Link 1 7/32" Wide Sprockets

(case hardened steel)

- Fits Polaris 96-97 sleds (except 97 700XC, RMK)

Links Wide	Inner Spline	# Teeth	Part #	Price (G)
<b>Top Sprocket</b>				
11	15	18	017-1118X	\$36.12
11	15	19	017-1119X	\$35.94
11	15	22	017-1122X	\$35.94
11	15	24	017-1124X	\$29.95



### 13-Link 2 1/32" Wide Sprockets

- Fits 1" 15 spline shaft.
- Fits Polaris 1995 XLT 600 Xtra; RXL Xtra, 1996-97 500cc-up

Links Wide	Inner Spline	# Teeth	Part #	Price (G)
<b>Top Sprocket</b>				
13	15	18	03318	\$21.95
13	15	19	03319	\$23.05
13	15	20	03320	\$32.95
13	15	21	03321	\$32.95
13	15	22	03322	\$27.45
13	15	23	03323	\$31.85
13	15	24	03324	\$32.95

### 15-Link Wide Sprockets

(case hardened steel)

- Requires 15-Link chain and bottom sprocket.

Links Wide	Inner Spline	# Teeth	Part #	Price (G)
<b>Top Sprocket</b>				
15	15	18	017-1518X	\$41.94
15	15	20	017-1520X	\$41.94
15	15	22	017-1522X	\$41.94

# Silent Chain Sprockets

## Silent Chain Sprockets for Ski-Doo

These sprockets are machined from **heat treated, case hardened metal**. A must for any performance snowmobiler or racer. Many racers in ISOC, MRP, SWDRA, Canadin Pro and USSA use these sprockets because of their durability.



## 13-Link 2 1/32" Wide Sprockets (case hardened steel)

- Fits 1994-2005 Ski-Doo

Links Wide	Inner Spline	# Teeth	TEAM Sprockets		Imported	
			Part #	Price (G)	Part #	Price (G)
<b>Top Sprocket</b>						
13	15	18	017-1318SD	\$47.94	03718	\$32.95
13	15	19	017-1319SD	\$47.94	03719	\$32.95
13	15	20	017-1320SD	\$47.94	03720	\$32.95
13	15	21	017-1321SD	\$47.94	03721	\$32.95
13	15	22	017-1322SD	\$47.94	03722	\$32.95
13	15	23	017-1323SD	\$47.94	03723	\$32.95
13	15	24	017-1324SD	\$47.94	03724	\$32.95
13	15	25	017-1325SD	\$47.94	03725	\$32.95
13	15	26	017-1326SD	\$47.94	03726	\$32.95
13	15	27	017-1327SD	\$47.94	-	-
13	15	28	017-1328SD	\$47.94	-	-
13	15	29	017-1329SD	\$47.94	-	-
<b>Bottom Sprocket</b>						
13	17	39	017-1339SD	\$71.94	-	-
13	17	40	017-1340SD	\$71.94	-	-
13	17	41	017-1341SD	\$71.94	03741	\$54.95
13	17	42	017-1342SD	\$71.94	03742	\$54.95
13	17	43	017-1343SD	\$71.94	-	-
13	17	44	017-1344SD	\$71.94	03744	\$54.95
13	17	45	017-1345SD	\$71.94	-	-
13	17	46	017-1346SD	\$71.94	-	-
13	17	47	017-1347SD	\$71.94	-	-
13	17	48	017-1348SD	\$71.94	-	-
13	17	49	017-1349SD	\$71.94	-	-

## 13-Link 2 1/32" Wide Sprockets (case hardened steel)

- Fits 2008-09 Ski-Doo XP Models

Links Wide	Inner Spline	# Teeth	TEAM Sprockets	
			Part #	Price (G)
<b>Bottom Sprocket</b>				
13	17	43	352666-01	\$95.94
13	17	44	352666-02	\$95.94
13	17	45	352666-03	\$95.94
13	17	46	352666-04	\$95.94
13	17	47	352666-05	\$95.94
13	17	48	352666-06	\$95.94
13	17	49	352666-07	\$95.94



## 11-Link Wide Sprockets (case hardened steel)

Links Wide	Inner Spline	# Teeth	Part #	Price (G)
<b>Top Sprocket</b>				
11	15	22	017-1122SD	\$38.14
11	15	23	017-1123SD	\$39.80
11	15	25	017-1125SD	\$42.92
<b>Bottom Sprocket</b>				
11	17	35	017-1135SD	\$49.95
11	17	38	017-1138SD	\$49.95
11	17	41	017-1141SD	\$49.95
11	17	42	017-1142SD	\$59.94

## 15-Link Wide Sprockets (case hardened steel)

Links Wide	Inner Spline	# Teeth	Part #	Price (G)
<b>Top Sprocket</b>				
15	15	19	017-1519SD	\$47.94
15	15	20	017-1520SD	\$47.94
15	15	23	017-1523SD	\$47.94
15	15	25	017-1525SD	\$39.95
15	15	26	017-1526SD	\$39.95
<b>Bottom Sprocket</b>				
15	17	36	017-1536SD	\$49.95
15	17	38	017-1538SD	\$49.95
15	17	40	017-1540SD	\$49.95
15	17	42	017-1542SD	\$49.95

## Silent Chain Sprockets

### for 1994-03 Yamaha SX & V-Max

Run the highest Quality Sprockets in the industry. "Run EPI Sprockets!" Precision Cut Sprockets machined from the highest Quality heat treated, case hardened metal. Pitch Diameter changes for every sprocket produced by EPI to insure proper chain movement. All bottom sprockets have been lightened to help decrease revolving weight. All Sprockets have a 1 year free replacement Warranty against breakage.



## 13-Link Wide Sprockets

(case hardened steel 15 inner splines)

Links Wide	Inner Spline	# Teeth	Part #	Price (G)
<b>Top Sprocket</b>				
13	15	17	017-1317Y	\$47.94
13	15	18	017-1318Y	\$47.94
13	15	19	017-1319Y	\$47.94
13	15	20	017-1320Y	\$47.94
13	15	21	017-1321Y	\$47.94
13	15	22	017-1322Y	\$47.94
13	15	23	017-1323Y	\$47.94
13	15	24	017-1324Y	\$47.94
13	15	25	017-1325Y	\$47.94
<b>Bottom Sprocket</b>				
13	15	34	017-1334	\$65.94
13	15	36	017-1336	\$65.94
13	15	37	017-1337	\$65.94
13	15	38	017-1338	\$65.94
13	15	39	017-1339	\$65.94
13	15	40	017-1340	\$65.94
13	15	41	017-1341	\$65.94
13	15	42	017-1342	\$65.94
13	15	43	017-1343	\$65.94

# Chiancase Sprockets



## HYVO 3/4 Sprockets for Polaris

- For 1998-09 Polaris snowmobiles.
  - Does not interchange with any previous models.
- Used with HYVO Chain only!**

Description	TEAM Sprockets		Imported	
	Part #	Price (G)	Part #	Price (G)
<b>Top Sprockets</b>				
16 tooth, 15 internal	017HV16	\$41.94	-	-
17 tooth, 15 internal	017HV17	\$41.94	03H17	\$28.55
18 tooth, 15 internal	017HV18	\$41.94	03H18	\$30.75
19 tooth, 15 internal	017HV19	\$41.94	03H19	\$30.75
20 tooth, 15 internal	017HV20	\$41.94	03H20	\$32.95
21 tooth, 15 internal	017HV21	\$41.94	03H21	\$35.15
22 tooth, 15 internal	017HV22	\$41.94	03H22	\$37.35
23 tooth, 15 internal	017HV23	\$41.94	03H23	\$39.55
24 tooth, 15 internal	017HV24	\$39.85	03H24	\$41.75
25 tooth, 15 internal	017HV25	\$41.94	03H25	\$42.85
<b>Bottom Sprockets</b>				
33 tooth, 15 internal	017HV33	\$65.94	-	-
34 tooth, 15 internal	017HV34	\$65.94	-	-
35 tooth, 15 internal	017HV35	\$65.94	03H35	\$65.95
36 tooth, 15 internal	017HV36	NLA	-	-
37 tooth, 15 internal	017HV37	\$65.94	03H37	\$75.85
38 tooth, 15 internal	017HV38	\$65.94	03H38	\$65.95
39 tooth, 15 internal	017HV39	\$65.94	03H39	\$65.95
40 tooth, 15 internal	017HV40	\$65.94	03H40	\$65.95
41 tooth, 15 internal	017HV41	\$65.94	03H41	\$65.95
42 tooth, 15 internal	017HV42	\$65.94	03H42	\$65.95
43 tooth, 15 internal	017HV43	\$65.94	-	-
44 tooth, 15 internal	017HV44	\$65.94	-	-
45 tooth, 15 internal	017HV45	\$65.94	-	-
46 tooth, 15 internal	017HV46	\$65.94	-	-

## HYVO 3/4 Sprockets for Yamaha

- For 2000-02 SRX, 2002-03 Viper (not RX-1)
  - Does not interchange with any previous models
- Used with HYVO Chain only!**

Description	Part #	Price (F)
<b>Top Sprockets</b>		
17 tooth, 15 internal	YM17-34	\$38.25
18 tooth, 15 internal	YM18-34	\$38.25
19 tooth, 15 internal	YM19-34	\$38.25
20 tooth, 15 internal	YM20-34	\$38.25
21 tooth, 15 internal	YM21-34	\$38.25
22 tooth, 15 internal	YM22-34	\$38.25
23 tooth, 15 internal	YM23-34	\$38.25
24 tooth, 15 internal	YM24-34	\$38.25
25 tooth, 15 internal	YM25-34	\$38.25
<b>Bottom Sprockets</b>		
33 tooth, 15 internal	YM33-34	\$58.50
34 tooth, 15 internal	YM34-34	\$58.50
35 tooth, 15 internal	YM35-34	\$58.50
36 tooth, 15 internal	YM36-34	\$58.50
38 tooth, 15 internal	YM38-34	\$58.50
39 tooth, 15 internal	YM39-34	\$58.50
40 tooth, 15 internal	YM40-34	\$58.50
41 tooth, 15 internal	YM41-34	NLA



## HYVO 3/4 Sprockets for Ski-Doo

- Converts all models with 13-wide sprockets, 1993-2007. **Used with HYVO Chain only!**

Description	Part #	Price (G)
<b>Top Sprockets</b>		
18 tooth, 15 internal	351363-001	\$41.94
19 tooth, 15 internal	351363-002	\$41.94
20 tooth, 15 internal	351363-003	\$41.94
21 tooth, 15 internal	351363-004	\$41.94
22 tooth, 15 internal	351363-005	\$41.94
23 tooth, 15 internal	351363-006	\$41.94
24 tooth, 15 internal	351363-007	\$41.94
25 tooth, 15 internal	351363-008	\$41.94
26 tooth, 15 internal	351363-009	\$41.94
<b>Bottom Sprockets</b>		
38 tooth, 17 internal	351364-001	\$71.94
39 tooth, 17 internal	351364-002	\$71.94
40 tooth, 17 internal	351364-003	\$71.94
41 tooth, 17 internal	351364-004	\$71.94
42 tooth, 17 internal	351364-005	\$71.94
43 tooth, 17 internal	351364-006	\$71.94
45 tooth, 17 internal	351364-008	\$71.94
47 tooth, 17 internal	351364-010	\$71.94

## HYVO Silent Chain 3/4"

Replacement chains for 1998-2009 Polaris snowmobiles. Does not interchange with any previous model or style. Used with 3/4" sprockets only. A great way to upgrade your Arctic Cat, or Yamaha.

Length	Width	Part #	Price (F)
<b>Polaris</b> Fits 1998-2010 Models			
64 links	3/4"	HY64-34	\$90.85
66 links	3/4"	HY66-34	\$91.50
68 links	3/4"	HY68-34	\$95.94
70 links	3/4"	HY70-34	\$101.94
72 links	3/4"	HY72-34	\$101.94
74 links	3/4"	HY74-34	\$101.94
76 links	3/4"	HY76-34	\$101.94
78 links	3/4"	HY78-34	\$107.94
90 links	3/4"	HY90-34	\$107.94
92 links	3/4"	HY92-34	\$104.79
<b>Yamaha</b> Fits 2002-02 SRX, 2002-03 Viper*			
66 links	3/4"	YM66-34	\$126.56
68 links	3/4"	YM68-34	\$126.56

\* Does not fit RX-1

